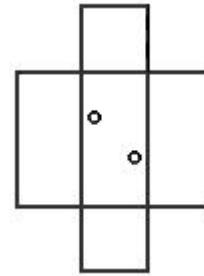
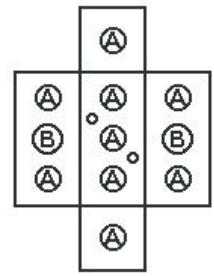


Device Box

HANDY BOX



BX20 , BX25
BX925



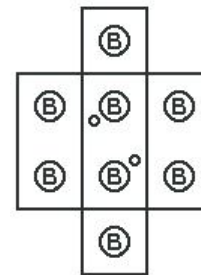
BX212 , BX26
BX9212 , BX926

Application : Support wiring device
single gang.

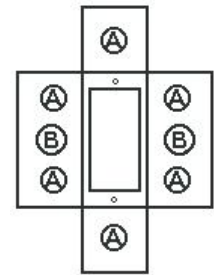
Features : Space save, strong,
and easy installations.

Material : Mild steel 1.0 mm.
Mild steel 1.2 mm.

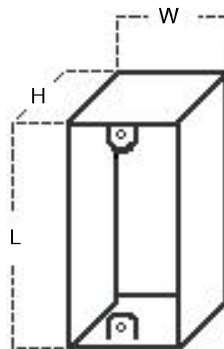
Standard Finish : Electro galvanized



BX23 , BX923



BX22 , BX29



(A) Knockout 1/2"

(B) Knockout 3/4"







Cat.,No.		TYPE	Knockout	Dimension (mm.)			Weight (g.)	
1 mm.	1.2 mm.			Wide	Length	High	1 mm.	1.2 mm.
BX20	-	Shallow	No punch	50.8	101.6	40.1	116	-
BX212	BX9212	Shallow	1/2" x 3/4" x 1/2"	50.8	101.6	40.1	114	130
BX22	-	Shallow-Extension	1/2" x 3/4" x 1/2"	50.8	101.6	40.1	85	-
BX23	BX923	Deep	3/4"	50.8	101.6	50.8	126	156
BX25	BX925	Deep	No punch	50.8	101.6	50.8	135	167
BX26	BX926	Deep	1/2" x 3/4" x 1/2"	50.8	101.6	50.8	126	156
BX29	-	Deep-Extension	1/2" x 3/4" x 1/2"	50.8	101.6	50.8	104	-



Specification

Cover For Device Box

HANDY COVER

	<p>Cat.,No. : BY21 Type : Blank Size : 2" x 4" Material : Zinc sheet 0.45 mm. Weight : 22 g.</p>	<p>Application :</p> <p>Provide for cover handy box when use's junction.</p>
	<p>Cat.,No. : BY22 Type : Knockout 1/2" Size : 2" x 4" Material : Zinc sheet 0.45 mm. Weight : 22 g.</p>	<p>Application :</p> <p>Provide for cover handy box when use's junction and wiring if pull down knockout hole on cover.</p>
	<p>Cat.,No. : BY23 Type : Toggle switch Size : 2" x 4" Material : Zinc sheet 0.45 mm. Weight : 20 g.</p>	<p>Application :</p> <p>Cover for amaran wiring device system , provide for toggle switch</p>
	<p>Cat.,No. : BY24 Type : Duplex receptacle Size : 2" x 4" Material : Zinc sheet 0.45 mm. Weight : 15 g.</p>	<p>Application :</p> <p>Cover for amaran wiring device system , provide for duplex receptacle.</p>
	<p>Cat.,No. : BY25 Type : Single receptacle Ø 35 mm. Size : 2" x 4" Material : Zinc sheet 0.45 mm. Weight : 18 g.</p>	<p>Application :</p> <p>Cover for amaran wiring device system , provide for single receptacle Dia. 35 mm.</p>
	<p>Cat.,No. : BY26 Type : Single receptacle Ø 41 mm. Size : 2" x 4" Material : Zinc sheet 0.45 mm. Weight : 17 g.</p>	<p>Application :</p> <p>Cover for amaran wiring device system , provide for single receptacle Dia. 41 mm.</p>

Device Box

SQUARE BOX

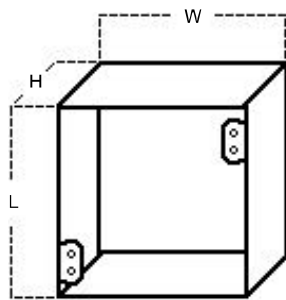


Application : Support wiring device double gang.

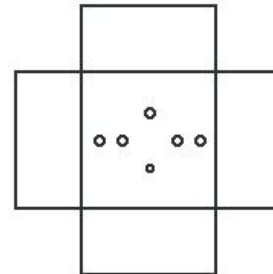
Features : Space save, strong, and easy installations.

Material : Mild steel 1.0 mm.
Mild steel 1.2 mm.

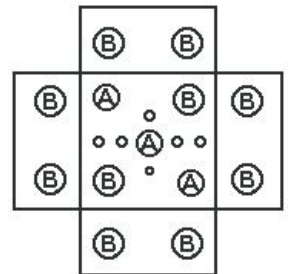
Standard Finish : Electro galvanized



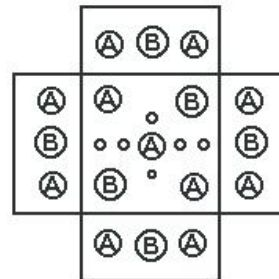
- (A) Knockout 1/2"
- (B) Knockout 3/4"
- (C) Knockout 1"



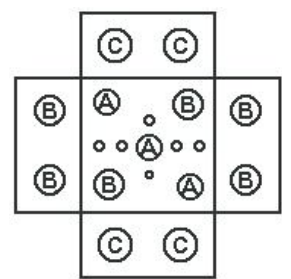
BX40 , BX45
BX940 , BX945



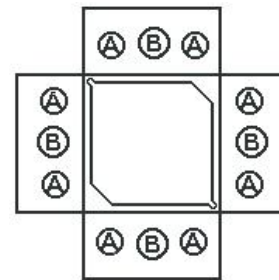
BX43 , BX943



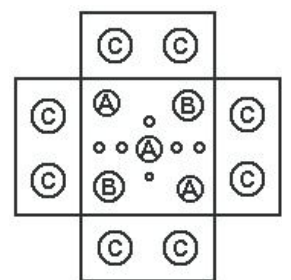
BX41 , BX46
BX941 , BX946



BX47 , BX947

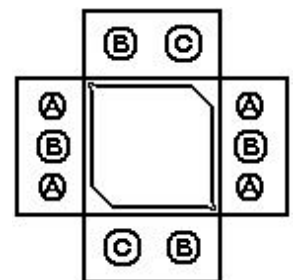


BX42 , BX942



BX48 , BX948

Cat.,No.		TYPE	Knockout	Dimension (mm.)			Weight (g.)	
1.0 mm.	1.2 mm.			Wide	Length	High	1.0 mm.	1.2 mm.
BX40	BX940	Shallow	No punch	101.6	101.6	40.1	174	220
BX41	BX941	Shallow	1/2 "x 3/4" x 1/2"	101.6	101.6	40.1	172	217
BX42	BX942	Shallow-Extension	1/2 "x 3/4" x 1/2"	101.6	101.6	40.1	124	150
BX43	BX943	Deep	3/4"	101.6	101.6	50.8	220	265
BX45	BX945	Deep	No punch	101.6	101.6	50.8	220	265
BX46	BX946	Deep	1/2 "x 3/4" x 1/2"	101.6	101.6	50.8	220	265
BX47	BX947	Deep	3/4" x 1"	101.6	101.6	50.8	220	265
BX48	BX948	Deep	1"	101.6	101.6	50.8	220	265
BX49	-	Deep-Extension	1/2 "x 3/4" x 1"	101.6	101.6	50.8	165	198











BX49



Specification









Cover For Device Box

SQUARE COVER

	<p>Cat.,No. : BY41 Type : Blank Size : 4" x 4" Material : Zinc sheet 0.55 mm. Weight : 47 g.</p>	<p>Application :</p> <p>Provide for cover square box when use's junction.</p>
	<p>Cat.,No. : BY42 Type : Knockout 1/2" Size : 4" x 4" Material : Zinc sheet 0.55 mm. Weight : 47 g.</p>	<p>Application :</p> <p>Provide for cover square box when use's junction and wiring if pull down knockout hole on cover.</p>
	<p>Cat.,No. : BY43 Type : Flat , for single gang Size : 4" x 4" Material : Zinc sheet 1.0 mm. Weight : 50 g.</p>	<p>Application :</p> <p>Provide for cover square box. Support single gang wiring device.</p>
	<p>Cat.,No. : BY44 Type : Flat , for double gang Size : 4" x 4" Material : Zinc sheet 1.0 mm. Weight : 28 g.</p>	<p>Application :</p> <p>Provide for cover square box. Support double gang wiring device.</p>
	<p>Cat.,No. : BY45 Type : Raised 3/8" , for single gang Size : 4" x 4" Material : Mild sheet 1.0 mm. Weight : 68 g.</p>	<p>Application :</p> <p>Provide for cover square box. Support single gang wiring device 3/8" raised.</p>
	<p>Cat.,No. : BY46 Type : Raised 3/8" , for double gang Size : 4" x 4" Material : Mild sheet 1.0 mm. Weight : 43 g.</p>	<p>Application :</p> <p>Provide for cover square box. Support double gang wiring device 3/8" raised.</p>
	<p>Cat.,No. : BY47 Type : Raised 3/8" , for pop-up floor receptade Size : 4" x 4" Material : Mild sheet 1.0 mm. Weight : 63 g.</p>	<p>Application :</p> <p>Provide for cover square box. Support pop-up floor receptacle.</p>
	<p>Cat.,No. : BY48 Type : Raised 1/4" , for british wiring device Size : 4" x 4" Material : Mild sheet 1.0 mm. Weight : 65 g.</p>	<p>Application :</p> <p>Provide for cover square box. Support british wiring device.</p>

Cover For Device Box

SURFACE COVER FOR SQUARE BOX

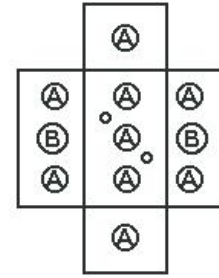
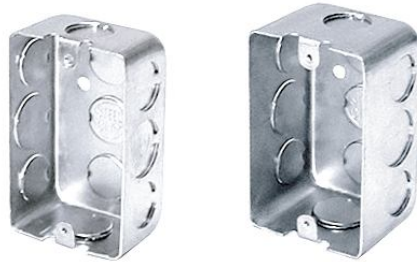
	<p>Cat.,No. : BY51 Type : Blank Size : 4-1/8" x 4-1/8" x 3/16" Material : Zinc sheet 0.7 mm. Weight : 47 g.</p>	<p>Application : Provide for cover square box when use's junction.</p>
	<p>Cat.,No. : BY52 Type : Single duplex receptacle Size : 4-1/8" x 4-1/8" x 3/16" Material : Zinc sheet 0.7 mm. Weight : 47 g.</p>	<p>Application : Provide for cover amarican wiring system , provide for duplex receptacle.</p>
	<p>Cat.,No. : BY53 Type : Double toggle switch Size : 4-1/8" x 4-1/8" x 3/16" Material : Zinc sheet 0.7 mm. Weight : 50 g.</p>	<p>Application : Provide for cover amarican wiring system , provide for double toggle switch.</p>
	<p>Cat.,No. : BY54 Type : Double duplex receptacle Size : 4-1/8" x 4-1/8" x 3/16" Material : Zinc sheet 0.7 mm. Weight : 28 g.</p>	<p>Application : Provide for cover amarican wiring system , provide for double duplex receptacle</p>
	<p>Cat.,No. : BY55 Type : Single toggle switch + Single duplex receptacle Size : 4-1/8" x 4-1/8" x 3/16" Material : Zinc sheet 0.7 mm. Weight : 68 g.</p>	<p>Application : Provide for cover amarican wiring system , provide for toggle switch+duplex receptacle.</p>
	<p>Cat.,No. : BY56 Type : Single toggle switch + Single receptacle Ø 35 mm. Size : 4-1/8" x 4-1/8" x 3/16" Weight : 43 g.</p>	<p>Application : Provide for cover amarican wiring system , provide for toggle switch+single receptacle Ø 35 mm.</p>
	<p>Cat.,No. : BY57 Type : Single receptacle Ø 41 mm. Size : 4-1/8" x 4-1/8" x 3/16" Material : Zinc sheet 1.0 mm. Weight : 63 g.</p>	<p>Application : Provide for amarican wiring system , provide for single receptacle Ø 41 mm.</p>
	<p>Cat.,No. : BY58 Type : Single receptacle Ø 54 mm. Size : 4-1/8" x 4-1/8" x 3/16" Material : Zinc sheet 1.0 mm. Weight : 65 g.</p>	<p>Application : Provide for amarican wiring system , provide for single receptacle Ø 54 mm.</p>



Specification

Device Box

EUROPA BOX



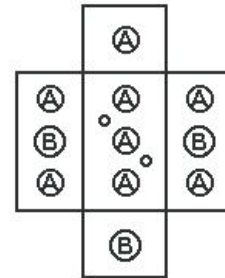
BX71 , BX971

Application : Support wiring device
widw single gang.

Features : Space save, strong,
and easy installations.

Material : Mild steel 1.0 mm.
Mild steel 1.2 mm.

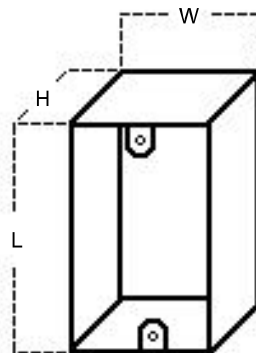
Standard Finish : Electro galvanized



BX76 , BX976

(A) Knockout 1/2"

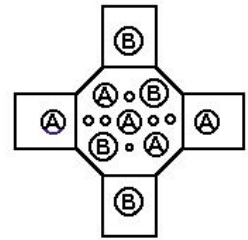
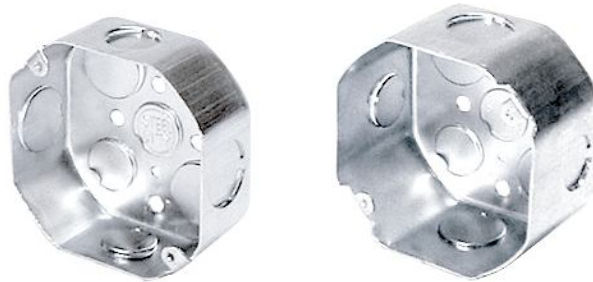
(B) Knockout 3/4"



Cat.,No.		TYPE	Knockout	Dimension (mm.)			Weight (g.)	
1 mm.	1.2 mm.			Wide	Length	High	1 mm.	1.2 mm.
BX71	BX971	Shallow	1/2 "x 3/4" x 1/2"	63,5	101,6	40,1	135	156
BX76	BX976	Deep	1/2 "x 3/4" x 1/2"	63,5	101,6	50,8	172	198

Device Box

OCTAGON BOX



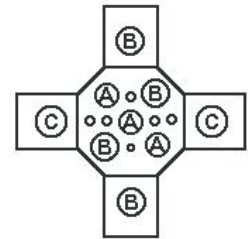
BX61 , BX96
BX961 , BX966

Application : Support 4 way wiring junction.

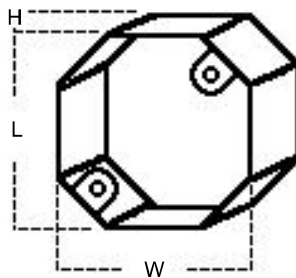
Features : Space save, strong, and easily obtained by setting box in desired position.

Material : Mild steel 1.0 mm.
Mild steel 1.2 mm.

Standard Finish : Electro galvanized



BX67 , BX967



- (A) Knockout 1/2"
- (B) Knockout 3/4"
- (C) Knockout 1"




Cat.,No.		TYPE	Knockout	Dimension (mm.)			Weight (g.)	
1 mm.	1.2 mm.			Wide	Length	High	1 mm.	1.2 mm.
BX61	BX961	Shallow	1/2 "x 3/4" x 1/2"	90	90	36.5	140	163
BX66	BX966	Deep	1/2 "x 3/4" x 1/2"	90	90	53	178	209
BX67	BX967	Deep	3/4" x 1"	90	90	53	178	209



Specification

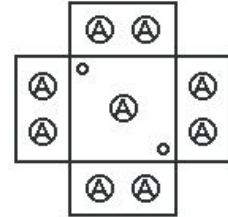
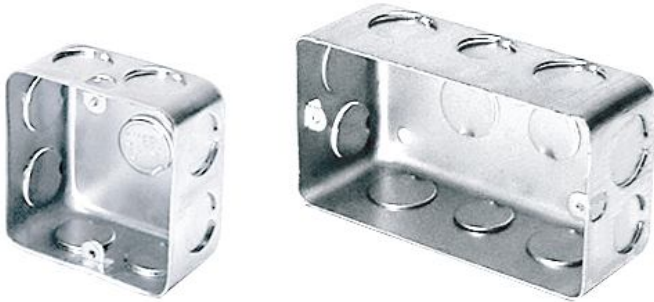
Cover For Device Box

OCTAGON COVER

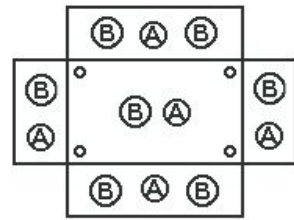
	<p>Cat.,No. : BY61 Type : Blank Size : \varnothing 4-1/16" Material : Zinc sheet 0.55 mm. Weight : 35 g.</p>	<p>Application :</p> <p>Provide for cover octagon box when use's junction.</p>
	<p>Cat.,No. : BY62 Type : Knockout 1/2" Size : \varnothing 4-1/16" Material : Zinc sheet 0.55 mm. Weight : 35 g.</p>	<p>Application :</p> <p>Provide for cover octagon box when use's junction and wiring if pull down knockout hole on cover.</p>
	<p>Cat.,No. : BY63 Type : Raised 3/8" Size : \varnothing 4-1/16" Material : Zinc sheet 0.55 mm. Weight : 45 g.</p>	<p>Application :</p> <p>Provide for cover octagon box and support receptable.</p>

Device Box

M. K. BOX



BX33 , BX933



BX35 , BX935

Application : Support British wiring device.

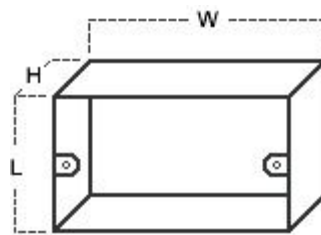
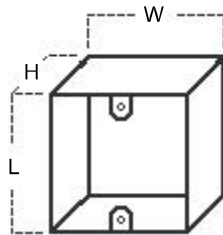
Features : Space save, strong, and easy installations.

Material : Mild steel 1.0 mm.
Mild steel 1.2 mm.

Standard Finish : Electro galvanized

(A) Knockout 1/2"

(B) Knockout 3/4"



Cat.,No.		TYPE	Knockout	Dimension (mm.)			Weight (g.)	
1 mm.	1.2 mm.			Wide	Length	High	1 mm.	1.2 mm.
BX33	BX933	Single gang	1/2"	69.85	69.85	40.1	116	135
BX35	BX935	Double gang	3/4" x 1/2"x 3/4"	131.76	71.44	50.8	114	215



Specification

Device Box

ONE FOR ALL SQUARE BOX

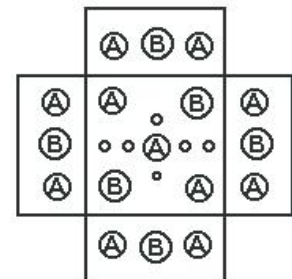


Application : Support all brand wiring device double gang.

Features : Space save, strong, and easy installations.

Material : Mild steel 1.0 mm.
Mild steel 1.2 mm.

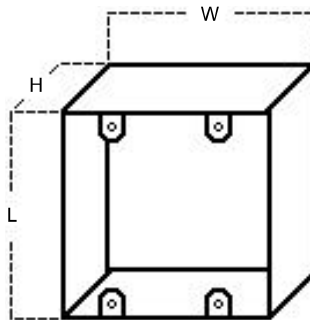
Standard Finish : Electro galvanized



BX81 , BX86
BX981 , BX986

(A) Knockout 1/2"

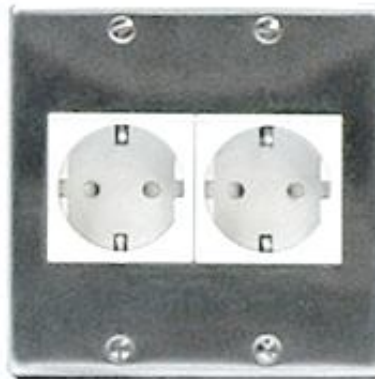
(B) Knockout 3/4"



Cat.,No.		TYPE	Knockout	Dimension (mm.)			Weight (g.)	
1 mm.	1.2 mm.			Wide	Length	High	1 mm.	1.2 mm.
BX81	BX981	Shallow	1/2 "x 3/4" x 1/2"	101,6	101,6	40,1	178	212
BX86	BX986	Deep	1/2 "x 3/4" x 1/2"	101,6	101,6	50,8	228	272

Cover For Device Box

COVER PLATE FOR GERMAN RECEPTACLE



Application : Provide for german double receptacle.
Central blank areas for fitting on double
receptacle (Matsushita device type WZ1121-7)

Features : beauty and endurance, easy installations.

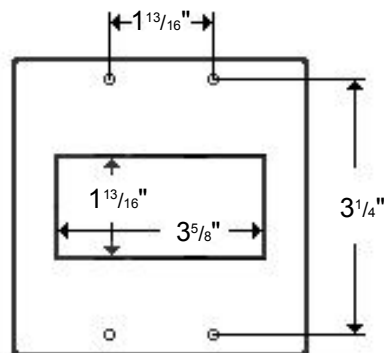
Material : Stainless sheet 0.7 mm.

Size : 4-3/4" x 4-3/4" x 1/4"

Screw : M6 x 3.2 mm.

Weight : 87 g.

Cat.,No. : FYD1121





Specification

Pull Box

PULL BOX



Application : Provide for use Junction very size of conduit & conductor.

Features : Are boxes without knockout, strong & easy installations.

Material : Steel steel 1.0 mm.

Standard Finish : Gray enamel

Cat.,No.	Dimension (mm.)			Weight (g.)
	Wide	Length	High	
PB10	4"	4"	4"	600
PB11	6"	6"	4"	1,000
PB12	6"	8"	4"	1,220
PB13	8"	8"	4"	1,500
PB14	10"	10"	4"	2,000
PB15	12"	12"	4"	2,720
PB23	8"	8"	6"	1,800
PB24	10"	10"	6"	2,470
PB25	12"	12"	6"	3,200
PB26	16"	16"	6"	4,920

REDUCING WASHER



Application : Reducing washers are recessed to fit knockouts, insuring centering of conduit.

Features : strong and smoothly bushed, use's easy installation.

Material : Steel sheet 0.4 mm.

Cat.,No.	Diameter		Weight (g.)
	Outer	Inner	
RW21	3/4"	1/2"	219
RW31	1"	1/2"	415
RW32	1"	3/4"	330



Specification

Junction Box

JUNCTION BOX



1 Hub



2 Hub
Straight



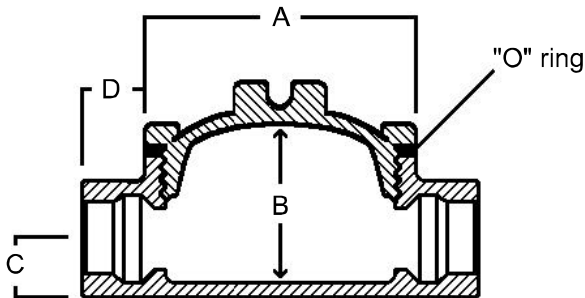
2 Hub
Angle



3 Hub



4 Hub



Application : Junction raceway,dust tight and raintight.

Features : Finished with surface cover and "O" ring rubber seal.
Index Protection 43 (IP43)

Material : Aluminium alloy

Cat.,No.					SIZE	Dimension (mm.)				Weight (g.)				
1 Hub	2 Hub		3 Hub	4 Hub		A	B	C	D	1 Hub	2 Hub		3 Hub	4 Hub
	Straight	Angle									Straight	Angle		
OJ11	OJ21	OJ71	OJ31	OJ41	1/2"	76	40	19	13	280	280	280	298	323
OJ12	OJ22	OJ72	OJ32	OJ42	3/4"	76	40	21	15	280	280	280	288	310
OJ13	OJ23	OJ73	OJ33	OJ43	1"	76	45	25	16	307	307	307	325	350
OJ14	OJ24	OJ74	OJ34	OJ44	1-1/4"	100	65	35	25	740	872	872	906	1,100
OJ15	OJ25	OJ75	OJ35	OJ45	1-1/2"	100	65	35	25	874	865	865	867	872
OJ16	OJ26	OJ76	OJ36	OJ46	2"	132	95	45	25	1,700	1,600	1,600	1,800	1,900
OJ17	OJ27	OJ77	OJ37	OJ47	2-1/2"	160	120	50	44	3,000	3,300	3,300	3,600	3,900



Conduit Outlet Box

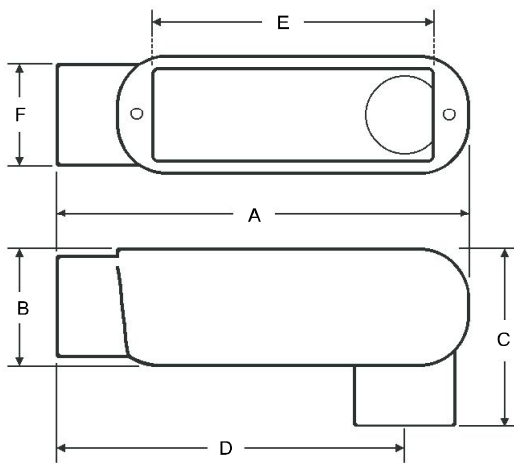
L.B.



Application : Act as pull outlets for conductor being installed. Change direction of conduit.

Features : Smooth intergral hub bushings to protect conduit insulation when pulling.

Material : Aluminium alloy



Cat.,No.	SIZE	Dimension (mm.)						Weight (g.)
		A	B	C	D	E	F	
OB21	1/2"	117	34	51	80	80	26	87
OB22	3/4"	127	39	58	105	94	33	140
OB23	1"	146	47	69	118	109	40	235
OB24	1-1/4"	184	60	80	155	142	51	438
OB25	1-1/2"	184	65	85	155	146	57	456
OB26	2"	234	82	104	195	195	71	845
OB27	2-1/2"	256	85	115	200	203	87	1,360
OB28	3"	294	105	138	230	230	100	2,000
OB29	3-1/2"	375	137	170	290	320	114	3,700
OB30	4"	375	137	170	290	320	125	3,800
OB31	5"	445	165	205	345	367	157	6,000
OB32	6"	518	210	270	385	412	192	13,100



Specification

Conduit Outlet Box

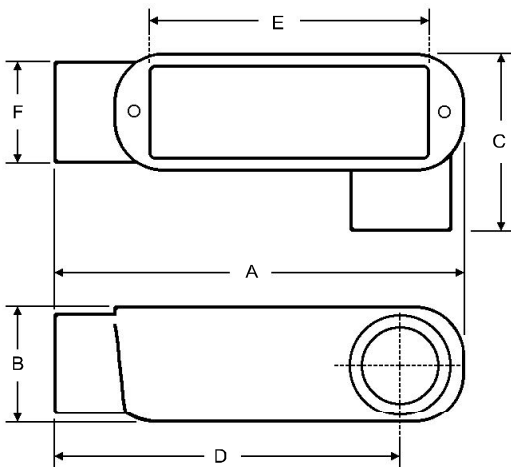
L.L.



Application : Act as pull outlets for conductor being installed. Change direction of conduit.

Features : Smooth intergral hub bushings to protect conduit insulation when pulling.

Material : Aluminium alloy



Cat.,No.	SIZE	Dimension (mm.)						Weight (g.)
		A	B	C	D	E	F	
OL21	1/2"	117	34	51	80	80	26	126
OL22	3/4"	127	39	58	105	94	33	180
OL23	1"	146	47	69	118	109	40	260
OL24	1-1/4"	184	60	80	155	142	51	398
OL25	1-1/2"	184	65	85	155	146	57	433
OL26	2"	234	82	104	195	195	71	993
OL27	2-1/2"	256	85	115	200	203	87	1,410
OL28	3"	294	105	138	230	230	100	1,900
OL29	3-1/2"	375	137	170	290	320	114	3,200
OL30	4"	375	137	170	290	320	125	3,200
OL31	5"	445	165	205	345	367	157	7,000
OL32	6"	518	210	270	385	412	192	12,600

Conduit Outlet Box

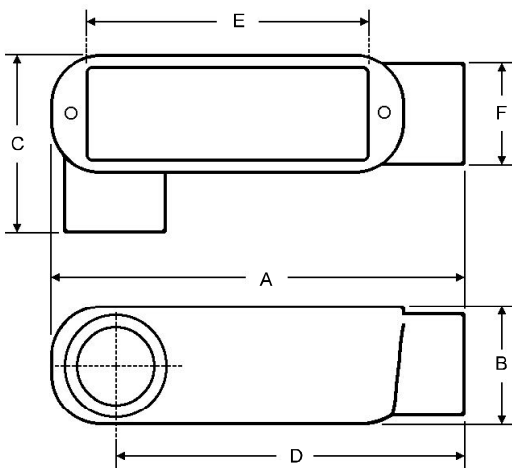
L.R.



Application : Act as pull outlets for conductor being installed. Change direction of conduit.

Features : Smooth intergral hub bushings to protect conduit insulation when pulling.

Material : Aluminium alloy



Cat.,No.	SIZE	Dimension (mm.)						Weight (g.)
		A	B	C	D	E	F	
OR21	1/2"	117	34	51	80	80	26	126
OR22	3/4"	127	39	58	105	94	33	180
OR23	1"	146	47	69	118	109	40	260
OR24	1-1/4"	184	60	80	155	142	51	398
OR25	1-1/2"	184	65	85	155	146	57	433
OR26	2"	234	82	104	195	195	71	993
OR27	2-1/2"	256	85	115	200	203	87	1,410
OR28	3"	294	105	138	230	230	100	1,900
OR29	3-1/2"	375	137	170	290	320	114	3,200
OR30	4"	375	137	170	290	320	125	3,200
OR31	5"	445	165	205	345	367	157	7,000
OR32	6"	518	210	270	385	412	192	12,600



Specification

Conduit Outlet Box

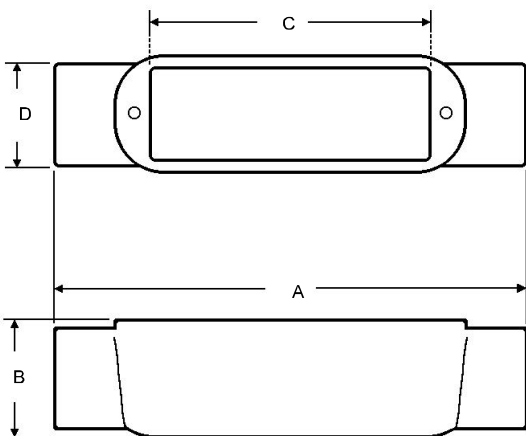
O.C.



Application : Act as pull outlets for conductor being installed. Change direction of conduit.

Features : Smooth intergral hub bushings to protect conduit insulation when pulling.

Material : Aluminium alloy



Cat.,No.	SIZE	Dimension (mm.)				Weight (g.)
		A	B	C	D	
OC21	1/2"	110	34	77	28	147
OC22	3/4"	130	41	91	35	179
OC23	1"	156	46	108	33	278
OC24	1-1/4"	190	60	142	51	592
OC25	1-1/2"	190	62	142	57	545
OC26	2"	238	80	182	69	1,140
OC27	2-1/2"	310	95	236	87	2,000
OC28	3"	310	110	238	102	3,000
OC29	3-1/2"	400	136	298	125	4,300
OC30	4"	402	136	307	125	3,800



Conduit Outlet Box

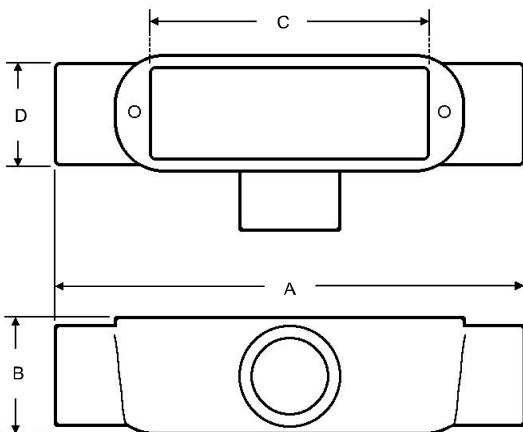
O.T.



Application : Act as pull outlets for conductor being installed. Change direction of conduit.

Features : Smooth intergral hub bushings to protect conduit insulation when pulling.

Material : Aluminium alloy



Cat.,No.	SIZE	Dimension (mm.)				Weight (g.)
		A	B	C	D	
OT21	1/2"	110	34	77	28	129
OT22	3/4"	130	41	91	35	194
OT23	1"	156	46	108	33	267
OT24	1-1/4"	190	60	142	51	438
OT25	1-1/2"	190	62	142	57	455
OT26	2"	238	80	182	69	790
OT27	2-1/2"	310	95	236	87	2,060
OT28	3"	310	110	238	102	2,240
OT29	3-1/2"	400	136	298	125	4,700
OT30	4"	402	136	307	125	3,500
OT31	5"	482	170	373	160	8,400
OT32	6"	580	210	436	190	14,300



Specification

Conduit Outlet Box

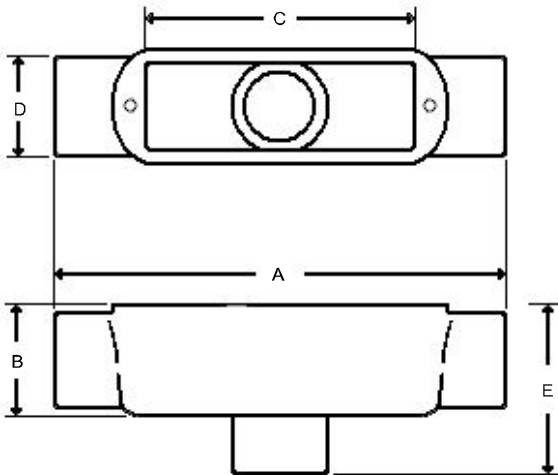
T.B.



Application : Act as pull outlets for conductor being installed. Change direction of conduit.

Features : Smooth intergral hub bushings to protect conduit insulation when pulling.

Material : Aluminium alloy



Cat.,No.	SIZE	Dimension (mm.)					Weight (g.)
		A	B	C	D	E	
OTB21	1/2"	110	34	77	28	48	174
OTB22	3/4"	130	41	91	35	55	233
OTB23	1"	156	46	108	33	58	403
OTB24	1-1/4"	190	60	142	51	70	648
OTB25	1-1/2"	190	62	142	57	75	680
OTB26	2"	238	80	182	69	90	1,210

Device Box

F.S. BOX SINGLE GANG



F.S.



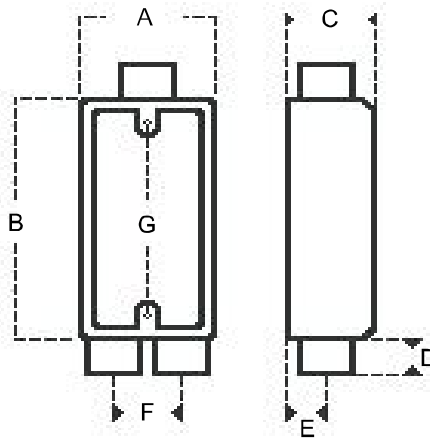
F.S.S.



F.S.C.



F.S.C.C.



Application : Support wiring device every brand surface mounting.

Features : Strong and graceful, easy installations.

Material : Aluminium alloy

Screw : M4 x 10 mm. (2 ea./box)

SIZE	Dimension (mm.)						
	A	B	C	D	E	F	G
1/2"	66.67	111.12	26.99	14.28	42.86	38.10	83.34
3/4"	66.67	111.12	26.99	14.28	42.86	38.10	83.34
1"	66.67	111.12	26.99	14.28	42.86	38.10	83.34

SIZE	Cat.,No.				Weight (g.)			
	F.S.	F.S.C.	F.S.S.	F.S.C.C.	F.S.	F.S.C.	F.S.S.	F.S.C.C.
1/2"	FX11	FX24	FX21	FX31	216	208	351	369
3/4"	FX12	FX25	FX22	FX32	195	207	302	307
1"	FX13	FX26	-	-	242	268	-	-





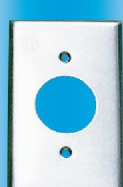
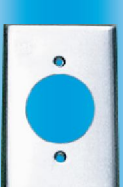



Specification

Cover For Device Box

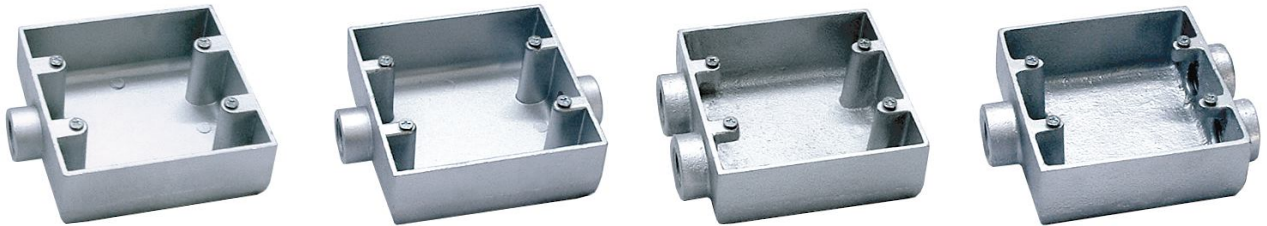
F.S. COVER FOR SINGLE GANG

Application : Cover for american wiring device system.

	<p>Cat.,No. : FY11 Type : Blank Size : 2³/₄" x 4¹/₂" Material : Zinc 0,55 mm. Weight : 42 g.</p>	<p>Cat.,No. : FY21 Type : Blank Size : 2³/₄" x 4¹/₂" Material : Aluminium 1,3 mm. Weight : 30 g.</p>	<p>Cat.,No. : FY31 Type : Blank Size : 2³/₄" x 4¹/₂" Material : Stainless 0,6 mm. Weight : 52 g.</p>
	<p>Cat.,No. : FY12 Type : Knockout 1/2" Size : 2³/₄" x 4¹/₂" Material : Zinc 0,55 mm. Weight : 42 g.</p>	<p>Cat.,No. : FY22 Type : Knockout 1/2" Size : 2³/₄" x 4¹/₂" Material : Aluminium 1,3 mm. Weight : 30 g.</p>	<p>Cat.,No. : FY32 Type : Knockout 1/2" Size : 2³/₄" x 4¹/₂" Material : Stainless 0,6 mm. Weight : 52 g.</p>
	<p>Cat.,No. : FY13 Type : Toggle switch Size : 2³/₄" x 4¹/₂" Material : Zinc 0,55 mm. Weight : 40 g.</p>	<p>Cat.,No. : FY23 Type : Toggle switch Size : 2³/₄" x 4¹/₂" Material : Aluminium 1,3 mm. Weight : 29 g.</p>	<p>Cat.,No. : FY33 Type : Toggle switch Size : 2³/₄" x 4¹/₂" Material : Stainless 0,6 mm. Weight : 49 g.</p>
	<p>Cat.,No. : FY14 Type : Duplex receptacle Size : 2³/₄" x 4¹/₂" Material : Zinc 0,55 mm. Weight : 33 g.</p>	<p>Cat.,No. : FY24 Type : Duplex receptacle Size : 2³/₄" x 4¹/₂" Material : Aluminium 1,3 mm. Weight : 24 g.</p>	<p>Cat.,No. : FY34 Type : Duplex receptacle Size : 2³/₄" x 4¹/₂" Material : Stainless 0,6 mm. Weight : 40 g.</p>
	<p>Cat.,No. : FY15 Type : Single receptacle Ø 35 mm. Size : 2³/₄" x 4¹/₂" Material : Zinc 0,55 mm. Weight : 37 g.</p>	<p>Cat.,No. : FY25 Type : Single receptacle Ø 35 mm. Size : 2³/₄" x 4¹/₂" Material : Aluminium 1,3 mm. Weight : 26 g.</p>	<p>Cat.,No. : FY35 Type : Single receptacle Ø 35 mm. Size : 2³/₄" x 4¹/₂" Material : Stainless 0,6 mm. Weight : 44 g.</p>
	<p>Cat.,No. : FY16 Type : Single receptacle Ø 41 mm. Size : 2³/₄" x 4¹/₂" Material : Zinc 0,55 mm. Weight : 35 g.</p>	<p>Cat.,No. : FY26 Type : Single receptacle Ø 41 mm. Size : 2³/₄" x 4¹/₂" Material : Aluminium 1,3 mm. Weight : 25 g.</p>	<p>Cat.,No. : FY36 Type : Single receptacle Ø 41 mm. Size : 2³/₄" x 4¹/₂" Material : Stainless 0,6 mm. Weight : 42 g.</p>
	<p>Cat.,No. : FY17 Type : Single receptacle Ø 54 mm. Size : 2³/₄" x 4¹/₂" Material : Zinc 0,55 mm. Weight : 30 g.</p>	<p>Cat.,No. : FY27 Type : Single receptacle Ø 54 mm. Size : 2³/₄" x 4¹/₂" Material : Aluminium 1,3 mm. Weight : 22 g.</p>	<p>Cat.,No. : FY37 Type : Single receptacle Ø 54 mm. Size : 2³/₄" x 4¹/₂" Material : Stainless 0,6 mm. Weight : 32 g.</p>

Device Box

F.S. BOX DOUBLE GANG

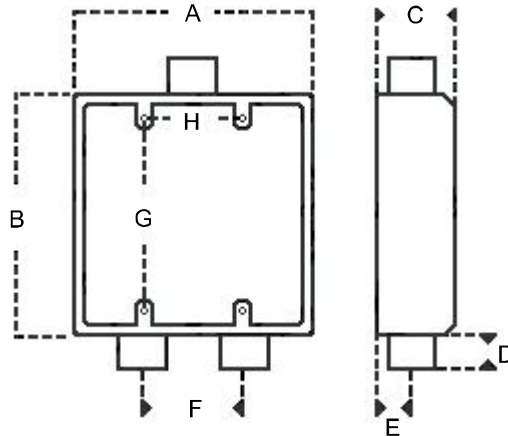


F.S.

F.S.C.

F.S.S.

F.S.C.C.



Application : Supporting wiring device every brand surface mounting.

Features : Strong and graceful, easy installations.

Material : Aluminium alloy

Screw : M4 x 10 mm. (4 ea./box)

SIZE	Dimension (mm.)							
	A	B	C	D	E	F	G	H
1/2"	109.54	109.54	42.86	14.28	42.86	46.04	83.34	46.04
3/4"	109.54	109.54	42.86	14.28	42.86	46.04	83.34	46.04
1"	109.54	109.54	42.86	14.28	42.86	46.04	83.34	46.04

SIZE	Cat.,No.				Weight (g.)			
	F.S.	F.S.C.	F.S.S.	F.S.C.C.	F.S.	F.S.C.	F.S.S.	F.S.C.C.
1/2"	FX41	FX54	FX51	FX61	328	359	345	427
3/4"	FX42	FX55	FX52	FX62	336	316	330	389
1"	FX43	FX56	-	-	370	365	-	-







Specification

Cover For Device Box

F.S. COVER FOR DOUBLE GANG

Application : Cover for american double gang wiring device system.

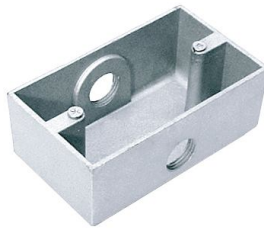
	Cat.,No. : FY41 Type : Blank Size : 4 1/2" x 4 1/2" Material : Zinc 0,55 mm. Weight : 73 g.	Cat.,No. : FY51 Type : Blank Size : 4 1/2" x 4 1/2" Material : Aluminium 1,3 mm. Weight : 53 g.	Cat.,No. : FY61 Type : Blank Size : 4 1/2" x 4 1/2" Material : Stainless 0,6 mm. Weight : 97 g.
	Cat.,No. : FY42 Type : Double toggle switch Size : 4 1/2" x 4 1/2" Material : Zinc 0,55 mm. Weight : 68 g.	Cat.,No. : FY52 Type : Double toggle switch Size : 4 1/2" x 4 1/2" Material : Aluminium 1,3 mm. Weight : 48 g.	Cat.,No. : FY62 Type : Double toggle switch Size : 4 1/2" x 4 1/2" Material : Stainless 0,6 mm. Weight : 80 g.
	Cat.,No. : FY43 Type : Duplex receptacle + Toggle switch Size : 4 1/2" x 4 1/2" Material : Zinc 0,55 mm. Weight : 60 g.	Cat.,No. : FY53 Type : Duplex receptacle + Toggle switch Size : 4 1/2" x 4 1/2" Material : Aluminium 1,3 mm. Weight : 44 g.	Cat.,No. : FY63 Type : Duplex receptacle + Toggle switch Size : 4 1/2" x 4 1/2" Material : Stainless 0,6 mm. Weight : 72 g.
	Cat.,No. : FY44 Type : Double duplex receptacle Size : 4 1/2" x 4 1/2" Material : Zinc 0,55 mm. Weight : 53 g.	Cat.,No. : FY54 Type : Double duplex receptacle Size : 4 1/2" x 4 1/2" Material : Aluminium 1,3 mm. Weight : 38 g.	Cat.,No. : FY64 Type : Double duplex receptacle Size : 4 1/2" x 4 1/2" Material : Stainless 0,6 mm. Weight : 62 g.

Device Box

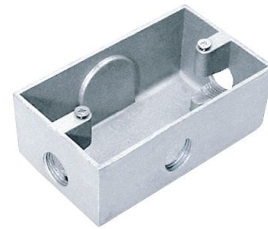
WIDE SERIES F.S. BOX



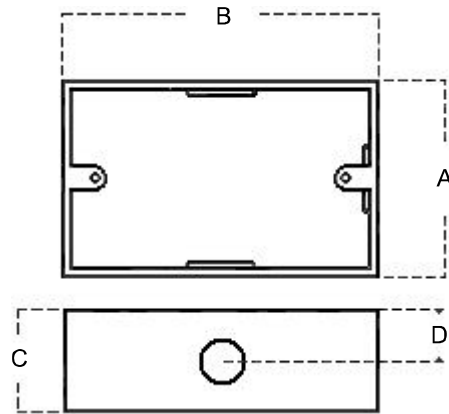
F.S.W.



F.S.C.W.



F.S.C.C.W.



Application : Support 1~3 device " National "
Full color , wide series.

Features : Strong and graceful, easy installations.

Material : Aluminium alloy

Screw : M4x10 mm. (2 ea./box)

SIZE	Dimension (mm.)			
	A	B	C	D
1/2"	70	120	50	28
3/4"	70	120	50	28

SIZE	Cat.,No.			Weight (g.)		
	F.S.W.	F.S.C.W.	F.S.C.C.W.	F.S.W.	F.S.C.W.	F.S.C.C.W.
1/2"	FSW11	FSW24	FSW31	250	247	235
3/4"	FSW12	FSW25	FSW32	248	240	225



Specification

Device Box

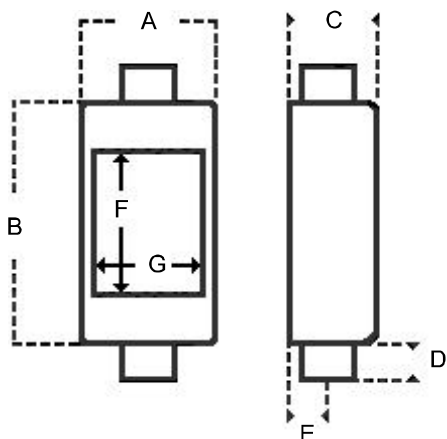
FULL COLOR F.S. BOX



F.S.



F.S.C.



Application : Support 1~3 device National, Toshiba, Meikosha. Wiring device every brand surface mounting.

Features : Strong and graceful, easy installations.

Material : Aluminium alloy
Screw : M4x10 (2ea.)

Standard finish : Blasting

SIZE	Dimension (mm.)						
	A	B	C	D	E	F	G
1/2"	70	120	50	13	30	73	61
3/4"	70	120	50	13	30	73	61

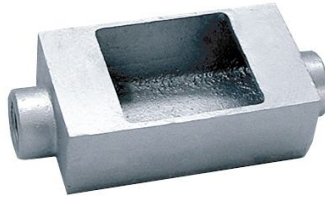
SIZE	Cat.,No.		Weight (g.)	
	F.S.	F.S.C.	F.S.	F.S.C.
1/2"	FSF11	FSF24	230	350
3/4"	FSF12	FSF25	230	350

Device Box

F.S. BOX 3" x 5"



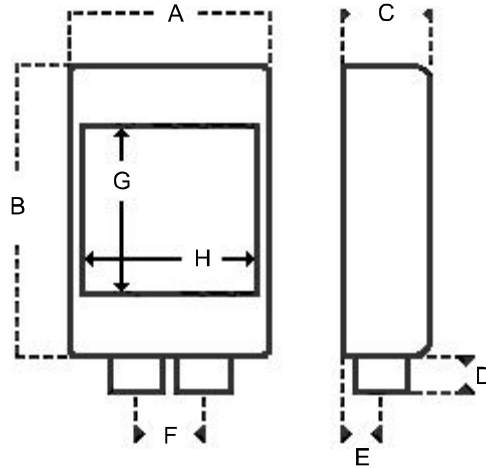
F.S.



F.S.C.



F.S.S.



Application : Support 1~3 device National , Toshiba , Meikosha.
wiring device every brand surface mounting.

Features : Strong and graceful, easy installations.

Material : Aluminium alloy

SIZE	Dimension (mm.)							
	A	B	C	D	E	F	G	H
1/2"	75	132	50	16	30	40	80	65
3/4"	75	132	50	16	30	40	80	65
1"	75	132	50	18	30	-	80	65

SIZE	Cat.,No.			Weight (g.)		
	F.S.	F.S.C.	F.S.S.	F.S.	F.S.C.	F.S.S.
1/2"	FX71	FX84	FX81	380	400	400
3/4"	FX72	FX85	FX82	380	400	400
1"	FX73	FX86	-	380	400	-



Specification

Conduit Fitting

SERVICE ENTRANCE CAP



Clamp



Treaded

Application : Type clamp provide for use EMT conduit. Type treaded provide for IMC conduit. Two screws provided for securing the head to the conduit. No need for beading conduit.

Features : Cast of high strength aluminium alloy. Long overhang on cap and positive seating of entrance head on conduit means no moisture can enter. Can be installed in either horizontal or vertical position.

Material : Aluminium alloy

SIZE	Cat.,No.		Number and Dia. cover holes	Weight (g.)	
	Clamp	Treaded		Clamp	Treaded
1/2"	-	OE21	(4) 7 mm.	-	71
3/4"	OE12	OE22	(5) 9 mm.	100	87
1"	OE13	OE23	(2) 9 mm. (3) 11 mm.	130	98
1-1/4"	OE14	OE24	(2) 9 mm. (3) 11 mm.	169	148
1-1/2"	OE15	OE25	(2) 14 mm. (3) 18 mm.	254	223
2"	OE16	OE26	(2) 18 mm. (3) 24 mm.	490	377
2-1/2"	-	OE27	(3) 21 mm. (3) 32 mm.	-	540
3"	-	OE28	(3) 24 mm. (3) 42 mm.	-	2,110
3-1/2"	-	OE29	(3) 24 mm. (3) 42 mm.	-	2,330
4"	-	OE30	(3) 24 mm. (3) 42 mm.	-	2,330
5"	-	OE31	(4) 40 mm.	-	-
6"	-	OE32	(5) 36 mm	-	-

Outlet Box

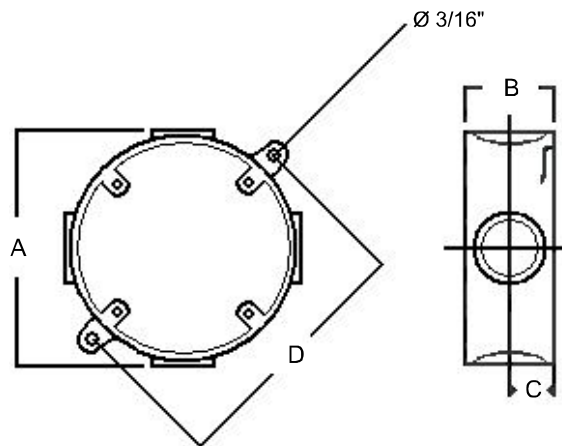
OUTLET BOX FOR BALL FLANGE



Application : Act as ceiling or wall mounting for lighting fixtures.

Features : Strong and graceful, easy installations.

Material : Aluminium alloy



SIZE	Dimension (mm.)			
	A	B	C	D
1/2"	105	40	20	125
3/4"	105	40	20	125

SIZE	Cat.,No.					Weight (g.)				
	1 Hub	2 Hub		3 Hub	4 Hub	1 Hub	2 Hub		3 Hub	4 Hub
		Straight	Angle				Straight	Angle		
1/2"	LH11	LH21	LH71	LH31	LH41	238	235	235	231	227
3/4"	LH12	LH22	LH72	LH32	LH42	238	231	231	220	215



Specification

Ball Flange

BALL FLANGE



Application : For use with outlet box. Flexible hanger lighting fixture.
Adjust ball to require position.

Features : Strong and graceful, easy installations.

Material : Aluminium alloy

SIZE	Cat.,No.	Weight (g.)
1/2"	LH01	128
3/4"	LH02	118

Conduit Fitting

THREADED TUBELET REDUCER



Cat.,No.
RN21~RN32



Cat.,No.
RN41~RNCB

Application : For reducing the opening in tubelet hubs or any female threaded fitting and smoothly bushed

Material : Zinc alloy (Cat.,no. RN21~RN32)
Aluminium alloy (Cat.,no. RN41~RNCB)

Cat.,No.	Dimension		Weight (g.)
	Outer	Inner	
RN21	3/4"	1/2"	14
RN31	1"	1/2"	53
RN32	1"	3/4"	30
RN41	1-1/4"	1/2"	50
RN42	1-1/4"	3/4"	47
RN43	1-1/4"	1"	29
RN51	1-1/2"	1/2"	80
RN52	1-1/2"	3/4"	76
RN53	1-1/2"	1"	46
RN54	1-1/2"	1-1/4"	26
RN61	2"	1/2"	183
RN62	2"	3/4"	160
RN63	2"	1"	137
RN64	2"	1-1/4"	96
RN65	2"	1-1/2"	70
RN73	2-1/2"	1"	260
RN74	2-1/2"	1-1/4"	218
RN75	2-1/2"	1-1/2"	192
RN76	2-1/2"	2"	120

Cat.,No.	Dimension		Weight (g.)
	Outer	Inner	
RN86	3"	2"	340
RN87	3"	2-1/2"	186
RN98	3-1/2"	3"	237
RNA7	4"	2-1/2"	605
RNA8	4"	3"	427
RNA9	4"	3-1/2"	237
RNBA	5"	4"	730
RNCA	6"	4"	1,580
RNCB	6"	5"	880



Specification

Conduit Fitting

CLOSE UP PLUG



Cat.,No.
CUP21~CUP26



Cat.,No.
CU21~CU23



Cat.,No.
CU24~CU32

Application : Close up plugs are use in NPT threaded, for closed the opening in tubelet hubs or any conduit outlet box

Material : P.V.C. (Cat.,no. CUP21~CUP26)
Aluminium alloy (Cat.,no. CU21~CU32)

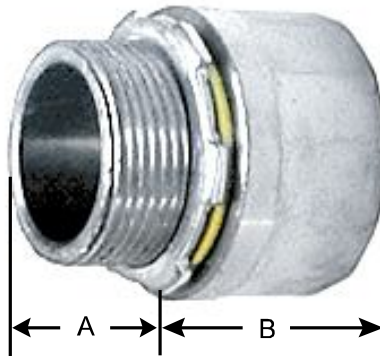
P.V.C.

SIZE	Cat.,No.	Weight (g.)
1/2"	CUP21	2
3/4"	CUP22	3
1"	CUP23	5
1-1/4"	CUP24	9
1-1/2"	CUP25	13
2"	CUP26	19

Aluminium alloy

SIZE	Cat.,No.	Weight (g.)
1/2"	CU21	6
3/4"	CU22	12
1"	CU23	18
1-1/4"	CU24	53
1-1/2"	CU25	95
2"	CU26	126
2-1/2"	CU27	263
3"	CU28	330
3-1/2"	CU29	461
4"	CU30	647
5"	CU31	1,900
6"	CU32	2,670

RAIN TIGHT HUB CONNECTOR



Application : For I.M.C. & R.S.C. conduit rain tight hub connectors are provide the same tight seal against water, dust and any bugs.

Material :

Body : Zinc alloy

Locknut : Mild steel

O ring : P.V.C.

Cat.,No.	SIZE		Dimension (mm.)		Weight (g.)
	Male	Female	A	B	
HC21	1/2"	1/2"	13	21	59
HC22	3/4"	3/4"	14	22	84
HC23	1"	1"	16	29	148
HC24	1-1/4"	1-1/4"	23	31	285
HC25	1-1/2"	1-1/2"	23	32	365
HC26	2"	2"	26	38	423
HC27	2-1/2"	2-1/2"	28	42	850
HC28	3"	3"	30	46	920
HC29	3-1/2"	3-1/2"	35	51	1,650
HC30	4"	4"	35	54	2,170



Specification

Conduit Fitting

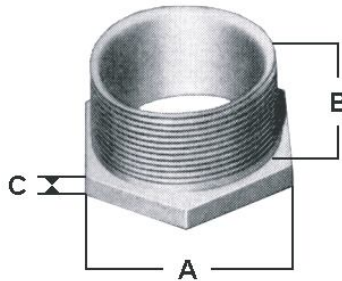
CHASE NIPPLE



Application : For I.M.C. & R.S.C.conduit, Chase nipples are connect conduit to outlet or other box. Permit box to be removed later without disturbing conduit.

Features : Smooth rounded Inner surface where wiring emerge. Protection against damage to cable.

Material : Zinc alloy



Cat.,No.	SIZE	Dimension (mm.)			Weight (g.)
		A	B	C	
HN21	1/2"	30	13	3	19
HN22	3/4"	40	13	4	38
HN23	1"	44	16	4	53
HN24	1-1/4"	54	17	6	92
HN25	1-1/2"	60	18	7	120
HN26	2"	71	20	7	177
HN27	2-1/2"	81	24	8	280
HN28	3"	97	27	10	400
HN29	3-1/2"	114	34	11	710
HN30	4"	124	35	11	735

Conduit Fitting

NIPPLE



TYPE A



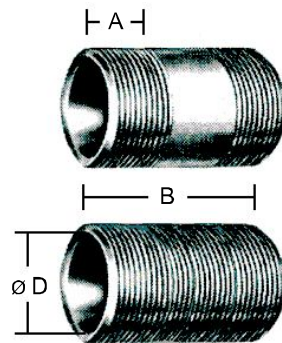
TYPE B

Application : Use to connect conduit to conduit or conduit to outlet box.

Features : Clean threads for easy installations.

Material : Steel pipe

Standard Finish : Electro galvanized



Cat.,No.		SIZE	Dimension (mm.)			Weight (g.)	
TYPE A	TYPE B		A	B	Ø D	TYPE A	TYPE B
NPA21	NPB21	1/2"	15	40	16	30	26
NPA22	NPB22	3/4"	20	50	21	60	46
NPA23	NPB23	1"	20	65	27	85	78
NPA24	NPB24	1-1/4"	20	78	35	167	117
NPA25	NPB25	1-1/2"	24	78	41	180	142
NPA26	NPB26	2"	24	78	53	268	268
NPA27	NPB27	2-1/2"	35	102	63	510	200
NPA28	NPB28	3"	40	102	78	663	390
NPA29	NPB29	3-1/2"	40	102	91	1,000	-
NPA30	NPB30	4"	40	125	103	1,100	-



Specification

Flexible Conduit & Fitting

FLEXIBLE CONDUIT



Application : Rounded channel-iron shape provides strength and make fishing easy over the roller-bearing surfaces. Spring action of the cold-rolled steel holds a true circular cross section under any bend.

Features : Light weight, easy installations.

Material : Zinc steel Strip

Cat.,No.	SIZE	Dimension (mm.)				Length per Coil (Meter)
		Inner		Outer		
		Min	Max	Min	Max	
FD11	1/2"	12.3	12.5	15.1	12.3	50
FD12	3/4"	19.3	19.5	21.7	19.3	50
FD13	1"	36	26.2	29.2	36	30
FD14	1-1/4"	31.8	32.1	36.3	31.8	15
FD15	1-1/2"	36.8	37.1	42.4	36.8	15
FD16	2"	50	50.3	55.9	50	15
FD17	2-1/2"	65	65.5	72	65	10
FD18	3"	74.7	75.3	83.6	74.7	10
FD20	4"	101	102	111.4	101	10

Flexible Conduit & Fitting

FLEXIBLE CONNECTOR



Cat.,No.
FN01~FN03



Cat.,No.
FN04~FN10

Application : Use to connect flexible metal conduit to any outletboxes.

Features : Insert may be easily removed. Connector has threaded end and is supplied with locknut.

Material : Zinc alloy

Cat.,No.	SIZE	Clamp Dia. (mm.)		Weight (g.)
		Open	Close	
FN01	1/2"	16	14	19
FN02	3/4"	25	22	41
FN03	1"	31	29	81
FN04	1-1/4"	38	34	105
FN05	1-1/2"	44	42	135
FN06	2"	58	54	226
FN07	2-1/2"	72	70	382
FN08	3"	83	81	532
FN10	4"	113	111	720



Specification

Flexible Conduit & Fitting

LIQUID TIGHT FLEXIBLE CONNECTOR



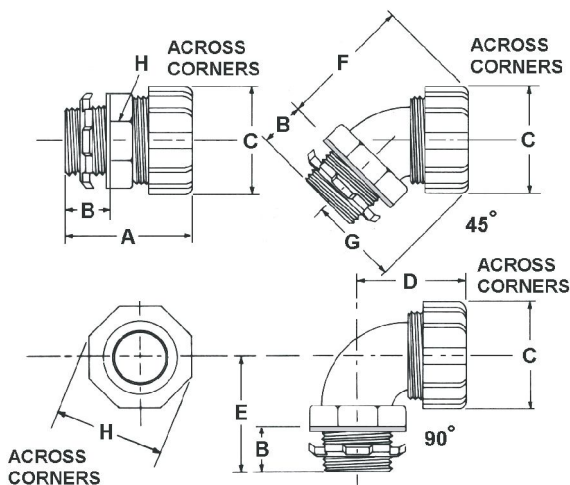
Straight



45°



90°



SIZE	Dimension (mm.)							
	A	B	C	D	E	F	G	H
1/2"	36	13	34	43	35	48	34	33
3/4"	39	13	40	48	40	54	35	41
1"	44	15	46	52	43	60	43	47
1-1/4"	53	17	56	60	60	74	54	56
1-1/2"	54	18	63	70	62	81	56	63
2"	59	19	75	100	75	106	82	77
2-1/2"	75	25	99	230	200	209	128	105
3"	92	28	114	260	220	241	140	128
4"	96	32	141	320	220	305	180	154

Application : Connection on double end of liquid tight flexible conduit. Connectors provide the same tight seal against water, oil, coolants, vapor and dust. The same sure grip and easy installation.

Features : strong and easy installation.

Material : Zinc alloy , P.V.C.

SIZE	Cat.,No.			Weight (g.)		
	Straight	45°	90°	Straight	45°	90°
1/2"	RFN21	RFNA21	RFNQ21	77	105	119
3/4"	RFN22	RFNA22	RFNQ22	121	199	179
1"	RFN23	RFNA23	RFNQ23	176	251	272
1-1/4"	RFN24	RFNA24	RFNQ24	269	393	434
1-1/2"	RFN25	RFNA25	RFNQ25	326	550	670
2"	RFN26	RFNA26	RFNQ26	442	878	995
2-1/2"	RFN27	RFNA27	RFNQ27	1,175	2,900	4,000
3"	RFN28	RFNA28	RFNQ28	1,748	4,100	5,500
4"	RFN30	RFNA30	RFNQ30	2,400	7,600	9,500

Conduit Fitting

E.M.T. ELBOW



Elbow 45°

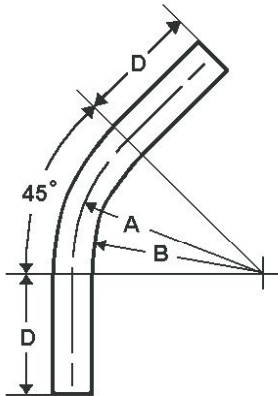


Elbow 90°

Application : Use to connect EMT conduit to EMT conduit when require bended direction of raceway

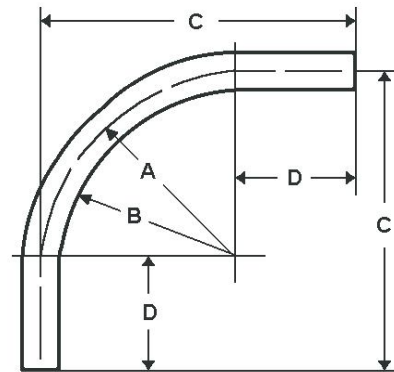
Features : Provide 45 and 90 degree for selection easy installation.

Material : Steel pipe
Standard Finish : Electro galvanized and Stove-enamel coating



45°

Cat.,No.	SIZE	Dimension (mm.)			Weight (g.)
		A	B	D	
EBA14	1-1/4"	184.2	163.5	76.2	500
EBA15	1-1/2"	209.6	185.7	95.3	600
EBA16	2"	241.3	211.1	127.0	1,000



90°

Cat.,No.	SIZE	Dimension (mm.)				Weight (g.)
		A	B	C	D	
EB11	1/2"	101.6	90.5	171.5	69.9	100
EB12	3/4"	114.3	101.6	190.5	76.2	180
EB13	1"	146.1	129.6	222.3	76.2	300
EB14	1-1/4"	184.2	163.5	260.4	76.2	640
EB15	1-1/2"	209.6	185.7	304.8	95.3	740
EB16	2"	241.3	211.1	368.3	127.0	1,100



Specification

Conduit Fitting

I.M.C. ELBOW



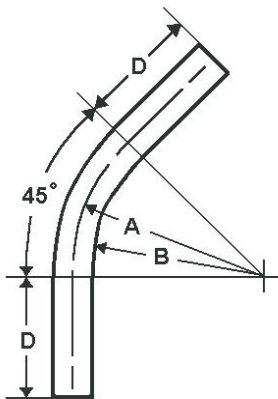
Elbow 45°

Elbow 90°

Application : Use to connect IMC conduit to IMC conduit when require bended direction of raceway

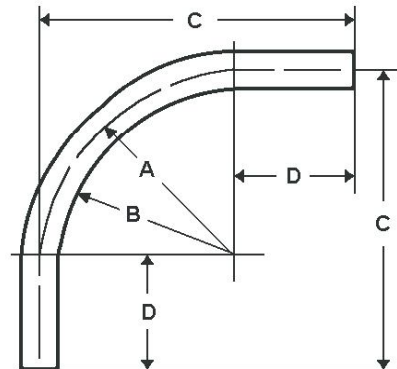
Features : Provide 45 and 90 degree for selection easy installation.

Material : Steel pipe
Standard Finish : Electro galvanized and Stove-enamel coating



45°

Cat.,No.	SIZE	Dimension (mm.)			Weight (g.)
		A	B	D	
IBA21	1/2"	86	75	55	200
IBA22	3/4"	95	80	55	250
IBA23	1"	146.1	128.6	76.2	400
IBA24	1-1/4"	184.2	163.5	76.2	800
IBA25	1-1/2"	209.6	185.7	95.3	900
IBA26	2"	241.3	211.1	127.0	1,400
IBA27	2-1/2"	266.7	230.2	127.0	2,700
IBA28	3"	330.2	285.8	171.5	4,500
IBA29	3-1/2"	381.0	330.2	177.8	6,400
IBA30	4"	406.4	349.3	177.8	6,700
IBA31	5"	609.6	542.9	279.4	23,500
IBA32	6"	762.0	678.7	355.6	45,000

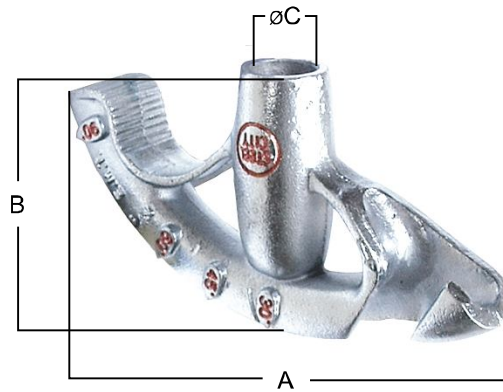


90°

Cat.,No.	SIZE	Dimension (mm.)				Weight (g.)
		A	B	C	D	
IB21	1/2"	101.6	90.5	171.5	69.9	200
IB22	3/4"	114.3	101.6	190.5	76.2	300
IB23	1"	146.1	129.6	222.3	76.2	420
IB24	1-1/4"	184.2	163.5	260.4	76.2	800
IB25	1-1/2"	209.6	185.7	304.8	95.3	1,100
IB26	2"	241.3	211.1	368.3	127.0	1,600
IB27	2-1/2"	266.7	230.2	393.7	127.0	3,600
IB28	3"	330.2	285.8	501.7	127.0	5,100
IB29	3-1/2"	381.0	330.2	558.8	177.8	6,800
IB30	4"	406.4	349.3	584.2	177.8	8,700
IB31	5"	609.6	542.9	857.3	279.4	23,500
IB32	6"	762.0	678.7	1,028.7	355.6	45,000

Conduit Fitting

BENDER



Application : Use for bended EMT conduit to requirement degree.
Provide marking 30, 45, 60, 90 degree.

Features : Strong and easy bended to require.

Material : Cast Iron

Standard Finish : Electro galvanized

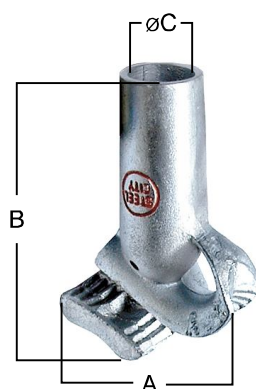
SIZE	Cat.,No.	Dimension (mm.)			Weight (g.)
		A	B	C	
1/2"	BD11	205	95	35	1,240
3/4"	BD12	260	120	45	2,300
1"	BD13	333	160	45	4,000



Specification

Conduit Fitting

HICKEY



Application : Use for bended IMC conduit to requirement degree.
Provide marking 30, 45, 60, 90 degree.

Features : Strong and easy bended to require.

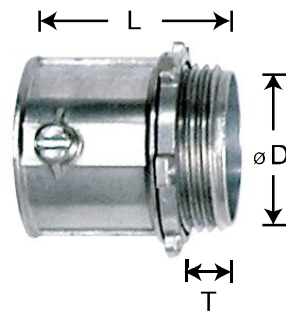
Material : Cast Iron

Standard Finish : Electro galvanized

SIZE	Cat.,No.	Dimension (mm.)			Weight (g.)
		A	B	C	
1/2"~3/4"	HK212	120	170	43	1,390
1"~1-1/4"	HK234	185	245	65	3,940

Conduit Fitting

E.M.T. CONNECTOR



Application : Use to connect EMT conduit to any outlet boxes.

Features : strong and easy installations.

Material : Zinc alloy

Cat.,No.	SIZE	Dimension (mm.)			Tighten Screw		Weight (g.)
		T	Ø D	L	Size	Qty.	
EN11	1/2"	9	18	31	3/16" x 3/8"	1	14
EN12	3/4"	10	24	35.5	3/16" x 3/8"	1	22
EN13	1"	12	30	42	3/16" x 3/8"	1	34
EN14	1-1/4"	14	39	53	1/4" x 1/2"	2	68
EN15	1-1/2"	15	44.5	59	1/4" x 1/2"	2	93
EN16	2"	16	56	71	1/4" x 1/2"	2	145



Cat.,No.
EN11~EN13



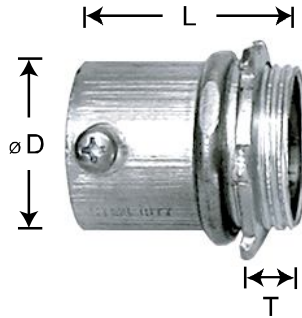
Cat.,No.
EN14~EN16



Specification

Conduit Fitting

E.M.T. CONNECTOR



Application : Use to connect EMT conduit to any outlet boxes.

Features : Strong and easy installations.

Material : Mild steel 1.6 mm. (Size 1/2" ~ 1")

Mild steel 2.0 mm. (Size 1-1/4" ~ 2")

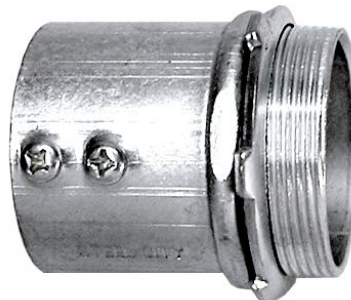
Standard Finish : Electro galvanized

Reference Standard : ANSI/NFPA 70

Cat.,No.	SIZE	Dimension (mm.)			Tighten Screw		Weight (g.)
		T	ø D	L	Size	Qty.	
MEN11	1/2"	9	18	31	3/16" x 3/8"	1	40
MEN12	3/4"	10	24	35	3/16" x 3/8"	1	50
MEN13	1"	12	30	42	3/16" x 3/8"	1	80
MEN14	1-1/4"	14	39	53	1/4" x 1/2"	2	130
MEN15	1-1/2"	15	44.5	59	1/4" x 1/2"	2	180
MEN16	2"	16	56	71	1/4" x 1/2"	2	280

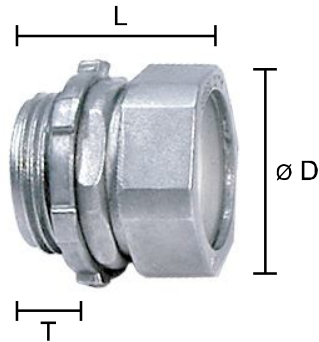


Cat.,No.
MEN11~MEN13



Cat.,No.
MEN14~MEN16

R/T E.M.T. CONNECTOR



Application : Use to connect EMT conduit to any outlet boxes.

Features : Rain-tight, concrete-tight, strong and easy installations.

Material : Zinc alloy

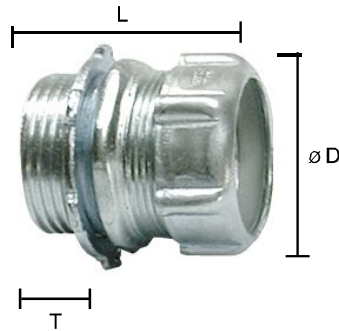
Cat.,No.	SIZE	Dimension (mm.)			Weight (g.)
		T	Ø D	L	
RCN11	1/2"	10	28	31	35
RCN12	3/4"	10	33	31	54
RCN13	1"	13	41	37	84
RCN14	1-1/4"	15	50	47	147
RCN15	1-1/2"	15	58	48	216
RCN16	2"	18	69	56	303



Specification

Conduit Fitting

R/T E.M.T. CONNECTOR



Application : Use to connect EMT conduit to any outlet boxes.

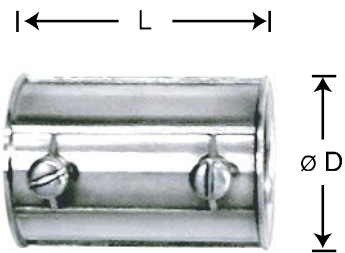
Material : Mild steel

Standard Finish : Electro galvanized

Cat.,No.	SIZE	Dimension (mm.)			Weight (g.)
		T	Ø D	L	
MRCN11	1/2"	11	27	35	35
MRCN12	3/4"	13	33	39	55
MRCN13	1"	14	40	42	65
MRCN14	1-1/4"	15	50	44	120
MRCN15	1-1/2"	16	58	48	180
MRCN16	2"	19	69	54	280

Conduit Fitting

E.M.T. COUPLING



Application : Use to connect EMT conduit to EMT conduit.

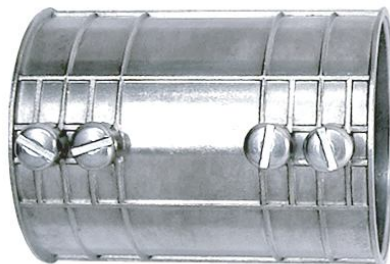
Features : Strong and easy installations.

Material : Zinc alloy

Cat.,No.	SIZE	Dimension (mm.)		Tighten Screw		Weight (g.)
		Ø D	L	Size	Qty.	
EP11	1/2"	18	35.5	3/16" x 3/8"	1	13
EP12	3/4"	24	45	3/16" x 3/8"	1	19
EP13	1"	30	50.5	3/16" x 3/8"	1	29
EP14	1-1/4"	39	47	1/4" x 1/2"	2	80
EP15	1-1/2"	44.5	73	1/4" x 1/2"	2	94
EP16	2"	56	84	1/4" x 1/2"	2	127



Cat.,No.
EP11~EP13



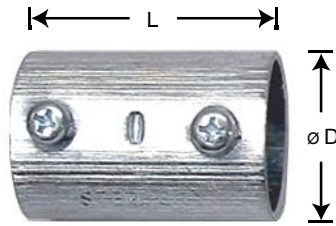
Cat.,No.
EP14~EP16



Specification

Conduit Fitting

E.M.T. COUPLING



Application : Use to connect EMT conduit to EMT conduit.

Features : Strong and easy installations.

Material : Mild steel 1.6 mm. (Size 1/2" ~ 1")

Mild steel 2.0 mm. (Size 1-1/4" ~ 2")

Reference Standard : ANSI/NFPA 70

Cat.,No.	SIZE	Dimension (mm.)		Tighten Screw		Weight (g.)
		ø D	L	Size	Qty.	
MEP11	1/2"	18	35	3/16" x 3/8"	1	35
MEP12	3/4"	24	45	3/16" x 3/8"	1	50
MEP13	1"	30	50	3/16" x 3/8"	1	70
MEP14	1-1/4"	39	64	1/4" x 1/2"	2	140
MEP15	1-1/2"	44.5	72	1/4" x 1/2"	2	190
MEP16	2"	56	84	1/4" x 1/2"	2	270

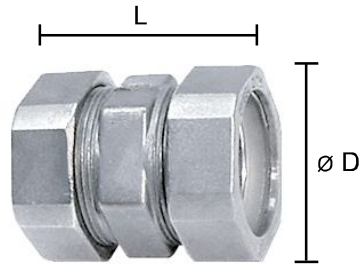


Cat.,No.
MEP11~MEP13



Cat.,No.
MEP14~MEP16

R/T E.M.T. COUPLING



Application : Use to connect EMT conduit to EMT conduit.

Features : Rain-tight, concrete-tight, strong and easy installations.

Material : Zinc alloy

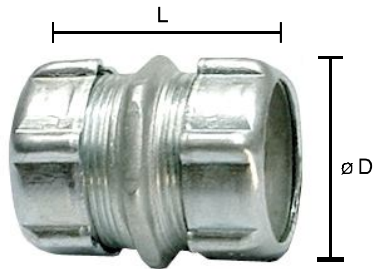
Cat.,No.	SIZE	Dimension (mm.)		Weight (g.)
		ø D	L	
RCP11	1/2"	28	42	47
RCP12	3/4"	33	47	75
RCP13	1"	41	49	112
RCP14	1-1/4"	50	56	182
RCP15	1-1/2"	58	59	271
RCP16	2"	69	64	353



Specification

Conduit Fitting

R/T E.M.T. COUPLING



Application : Use to connect EMT conduit to EMT conduit.

Material : Mild steel

Standard Finish : Electro galvanized

Cat.,No.	SIZE	Dimension (mm.)		Weight (g.)
		Ø D	L	
MRCP11	1/2"	27	41	45
MRCP12	3/4"	33	43	60
MRCP13	1"	40	48	80
MRCP14	1-1/4"	50	53	140
MRCP15	1-1/2"	58	58	240
MRCP16	2"	69	64	330

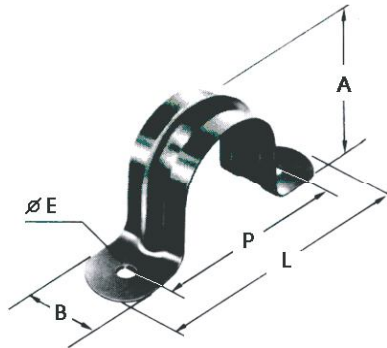
Conduit Fitting

E.M.T. STRAP



Material : Mild steel

Finish : Electro galvanized



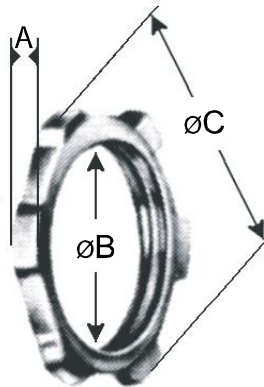
Cat.,No.	SIZE	Dimension (mm.)					Weight (g.)
		A	B	P	L	øE	
CL11	1/2"	19	15	38	52	4.5	6
CL12	3/4"	25	15	46	59	4.5	7
CL13	1"	30	18	55	68	4.5	9
CL14	1-1/4"	40	19	68	80	4.5	20
CL15	1-1/2"	45	19	78	93	4.5	22
CL16	2"	55	19	88	108	4.5	27



Specification

Conduit Fitting

LOCKNUT

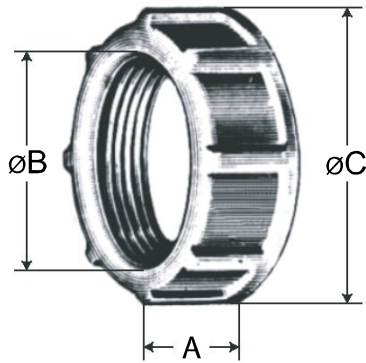


Material : Mild steel

Standard Finish : Electro galvanized

Cat.,No.	SIZE	Dimension (mm.)			Weight (g.)
		A	Ø B	Ø C	
LN21	1/2"	2.0	19	28	4
LN22	3/4"	2.4	25	35	6
LN23	1"	2.4	31	45	9
LN24	1-1/4"	2.7	40	53	14
LN25	1-1/2"	2.7	46	61	19
LN26	2"	3.0	58	74	29
LN27	2-1/2"	3.0	71	88	37
LN28	3"	3.2	86	107	58
LN29	3-1/2"	3.4	99	121	76
LN30	4"	3.4	111	135	88
LN31	5"	10.0	137	165	343
LN32	6"	10.2	163	199	360

BUSHING



Application : Tighten the end of connector I.M.C./R.S.C. conduit, nipple, chase nipple and any male fittings.

Features : Product conductor.

Material : Zinc alloy , Polypropylene (P.P.)



Zinc alloy

Cat.,No.	SIZE	Dimension(mm.)			Weight (g.)
		A	øB	øC	
BH21	1/2"	9	16	26	5
BH22	3/4"	9	21	32	9
BH23	1"	10	26	39	13
BH24	1-1/4"	12	34	47	20
BH25	1-1/2"	12	39	54	24
BH26	2"	13	51	66	32
BH27	2-1/2"	15	63	80	55
BH28	3"	17	76	96	87
BH29	3-1/2"	20	89	114	113
BH30	4"	20	102	125	180

Polypropylene (P.P.)

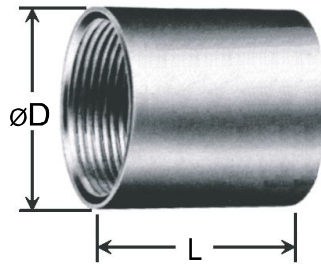
Cat.,No.	SIZE	Dimension(mm.)			Weight (g.)
		A	øB	øC	
BHP21	1/2"	9	16	26	2
BHP22	3/4"	9	21	32	2.2
BHP23	1"	10	26	39	3.5
BHP24	1-1/4"	12	34	47	5
BHP25	1-1/2"	12	39	54	7
BHP26	2"	13	51	66	14
BHP27	2-1/2"	15	63	80	16
BHP28	3"	17	76	96	21
BHP29	3-1/2"	20	89	114	32
BHP30	4"	20	102	125	62



Specification

Conduit Fitting

I.M.C. COUPLING



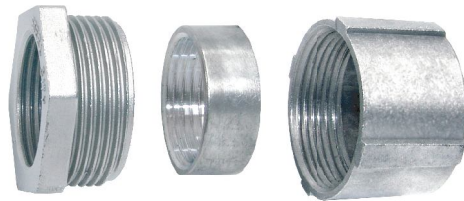
Material : Steel pipe

Standard Finish : Electro galvanized

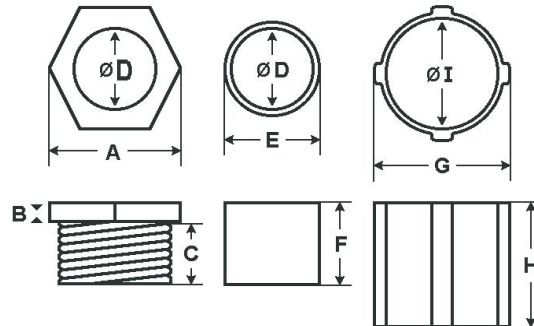
Cat.,No.	SIZE	Dimension(mm.)		Weight (g.)
		Ø D	L	
IP21	1/2"	24	40	40
IP22	3/4"	31	43	78
IP23	1"	38	43	114
IP24	1-1/4"	49	52	208
IP25	1-1/2"	55	52	226
IP26	2"	68	57	378
IP27	2-1/2"	82	80	688
IP28	3"	97	84	852
IP29	3-1/2"	112	85	1,150
IP30	4"	124	93	1,580
IP31	5"	152	101	2,150
IP32	6"	182	103	3,400

Conduit Fitting

ERICSON COUPLING



Material : Aluminium alloy



Cat.,No.	SIZE	Dimension(mm.)									Weight (g.)
		A	B	C	D	E	F	G	H	I	
ERS21	1/2"	36	4	13	20	24	13	34	28	25	92
ERS22	3/4"	39	5	15	24	29	14	41	28	30	137
ERS23	1"	48	5	15	31	37	13	48	28	38	157
ERS24	1-1/4"	62	5	17	40	48	19	66	40	49	450
ERS25	1-1/2"	69	7	17	45	54	19	73	41	55	570
ERS26	2"	81	7	24	58	66	19	90	46	68	830
ERS27	2-1/2"	104	8	30	70	82	27	99	59	83	1,300
ERS28	3"	120	8	40	84	96	33	117	71	97	2,145
ERS29	3-1/2"	131	12	40	98	107	33	134	71	109	2,860
ERS30	4"	140	12	43	111	121	35	143	83	123	2,870



Specification

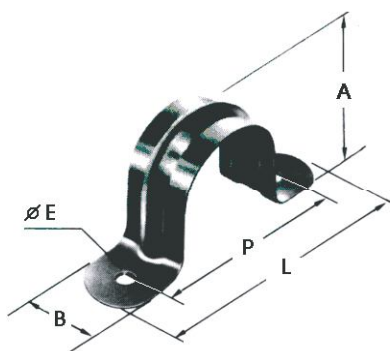
Conduit Fitting

I.M.C. STRAP



Material : Mild steel

Finish : Electro galvanized

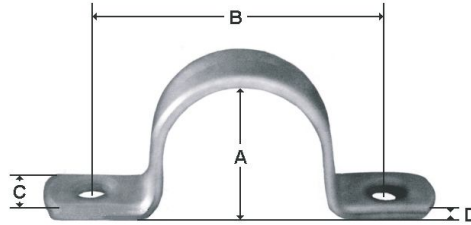


Cat.,No.	SIZE	Dimension (mm.)					Weight (g.)
		A	B	P	L	øE	
CL21	1/2"	22	15	39	49	4.5	6
CL22	3/4"	27	15	46	57	4.5	7
CL23	1"	34	18	57	68	4.5	14
CL24	1-1/4"	41	18	78	96	4.5	22
CL25	1-1/2"	48	18	83	98	4.5	24
CL26	2"	61	18	97	117	4.5	29
CL27	2-1/2"	75	20	104	129	5.8	48
CL28	3"	90	20	141	164	5.8	59
CL28	3-1/2"	100	24	162	188	5.8	76
CL30	4"	114	25	166	192	5.8	84

STAINLESS STRAP



Material : Stainless steel



Cat.,No.	SIZE	Dimension (mm.)				Weight (g.)
		A	B	C	D	
TCL21	1/2"	20	42	19	2	22
TCL22	3/4"	25	50	19	2	27
TCL23	1"	32	60	19	2	33
TCL24	1-1/4"	39	80	19	3	59
TCL25	1-1/2"	47	90	19	3	67
TCL26	2"	60	96	19	3	79
TCL27	2-1/2"	71	104	19	3	85
TCL28	3"	85	158	19	3	116
TCL28	3-1/2"	98	164	19	3	130
TCL30	4"	112	170	19	3	145



Specification

Conduit Fitting

N.M. CONNECTOR



Material : Zine alloy

Cat.,No.	SIZE	Cable Range (mm.)		Dimension (mm.)		Weight (g.)
		Min	Max	A	B	
NM01	1/2"	4	16	21	30	21
NM02	3/4"	10	21	24	42	37
NM03	1"	14	25	28	49	61

Conduit Fitting

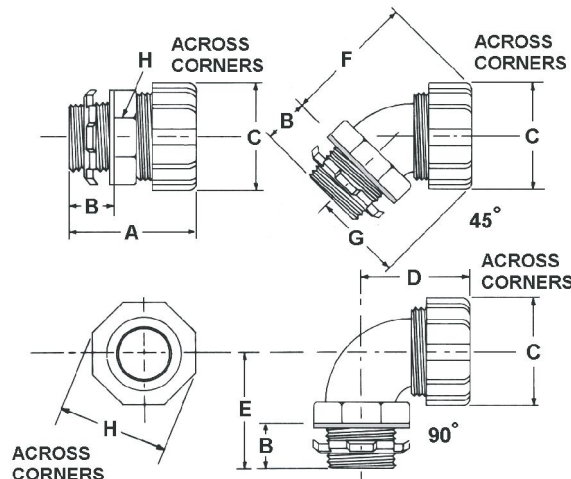
LIQUID TIGHT CABLE CONNECTOR



Application : Snap flexible conduit such as VCT, NYY, through hole of any box.

Features : Provide straight, 45°, 90° for selection, easy installation.

Material : Zinc alloy , P.V.C. , Rubber

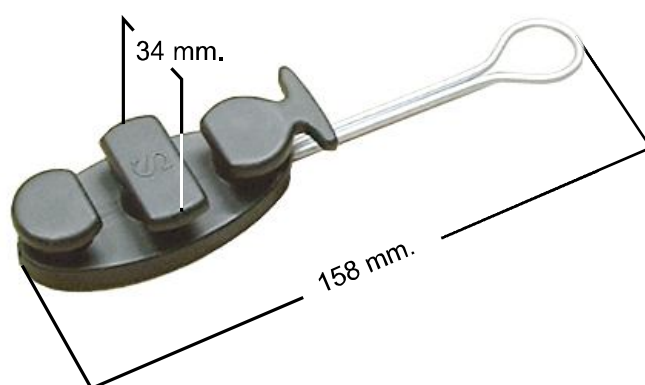


SIZE	Dimension (mm.)							
	A	B	C	D	E	F	G	H
1/2"	36	13	34	43	35	48	34	33
3/4"	39	13	40	48	40	54	35	41

SIZE	Cat.,No.			Weight (g.)		
	Straight	45°	90°	Straight	45°	90°
1/2"	RCC21	RCA21	RCQ21	77	108	121
3/4"	RCC22	RCA22	RCQ22	126	205	173



DROP WIRE CLAMP



Application : Prefromed dead-end outdoor Telephone Drop Wire.

Features : Strong , Easy install.

Material :

Body : P.V.C.

Handle : Steel wire Ø 2.65 mm.

Weight : 39 g.

Cat.,No. : DW00

STUD THREAD ROD



Application : Fasten in ceiling by anchor, to hold conduit, wireway, etc.

Material : Iron Shaft

Standard finish : Electro Galvanized

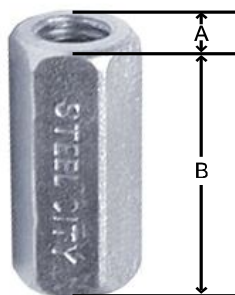
Cat.,No.	Dia.	Length (mm.)	Weight (g.)
CH2010	3/8"	1000	398
CH2015	3/8"	1500	600
CH2110	1/2"	1000	715
CH2115	1/2"	1500	1,100



Specification

C-Channel Hanger Fitting

HEXAGON COUPLING



Application : To prolong the stud thread rod.

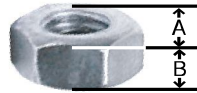
Material : Iron Shaft

Standard finish : Electro Galvanized

Cat.,No.	Dia.	Dimension (mm.)		Weight (g.)
		A	B	
CHP20	3/8"	16	40	46
CHP21	1/2"	19	43	66

C-Channel Hanger Fitting

HEXAGON NUT



Application : To fasten the end of Hexagon coupling.

Material : Steel Nut

Standard finish : Electro Galvanized

Cat.,No.	Dia.	Dimension (mm.)		Weight (g.)
		A	B	
CHN20	3/8"	16	8.0	10
CHN21	1/2"	20	9.4	16



Specification

Conduit Fitting

C-CHANNEL



Application : To support conduit fitting on wall, ceiling, etc. Support various size conduit.

Features : Easy installations, strong.

Material : Galvanized steel 1.4 mm.

Cat.,No.	Dimension (mm.)	Thickness (mm.)	Weight (g.)
CC00	25 x 40 x 1200	1.4	1,400
CC03	40 x 40 x 1200	1.4	1,780

Conduit Fitting

CONDUIT CLAMP



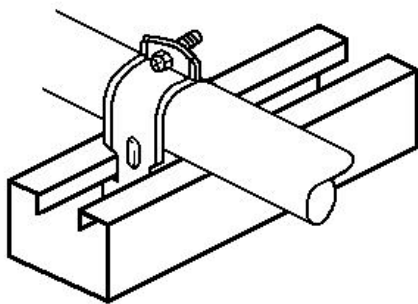
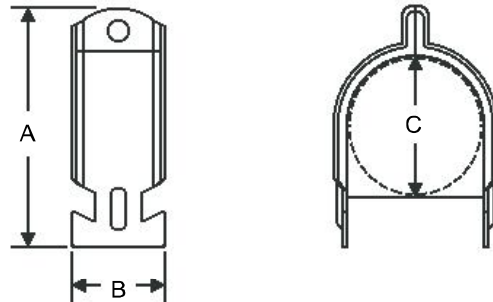
Application : Snap conduit that place on C-channel. Fasten by screw.

Features : Easy installations, Strong.

Material : Mild steel

Thickness : 1.0 mm. (Size 1/2" ~ 1")
 1.5 mm. (Size 1 1/4" ~ 4")
 2.0 mm. (Size 5" ~ 6")

Standard Finish : Electro Galvanized



Cat.,No.		Size	Dimension (mm.)			Weight (g.)	
E.M.T.	I.M.C.		A	B	C	E.M.T.	I.M.C.
CC11	CC21	1/2"	47	31	23	26	29
CC12	CC22	3/4"	54	31	28	30	32
CC13	CC23	1"	61	31	35	34	36
CC14	CC24	1-1/4"	73	31	45	63	65
CC15	CC25	1-1/2"	79	31	51	70	72
CC16	CC26	2"	90	31	63	82	86
-	CC27	2-1/2"	107	31	77	-	98
-	CC28	3"	126	31	92	-	112
-	CC29	3-1/2"	141	31	105	-	129
-	CC30	4"	152	31	118	-	140
-	CC31	5"	182	31	147	-	207
-	CC32	6"	214	31	174	-	228



Specification

Conduit Fitting

BEAM CLAMP

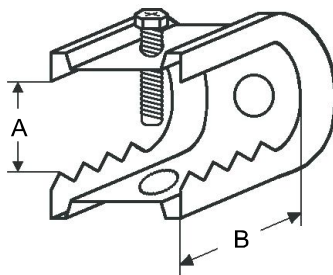


Application : Support conduit that need fit on metal building structure.
Such as angle steel, U-channel, H-beam, I-beam.

Features : Easy installations, un need to drill, weld.

Material : Mild steel

Standard Finish : Electro Galvanized



Cat.,No.	TYPE	Dimension (mm.)		Thickness (mm.)	Weight (g.)
		A	B		
BC01	1	16	34	2.0	70
BC01W	1w	24	36	2.0	90
BC02W	2w	34	43	2.5	160

Conduit Fitting

APPLICABLE HANGER

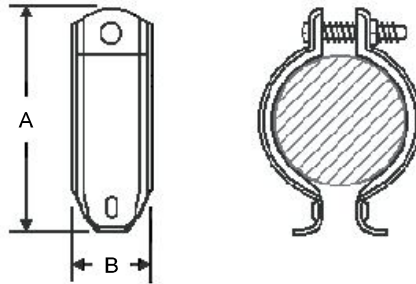


Application : Snap conduit fasten on beam clamp.

Features : Easy installations.

Material : Mild steel

Standard Finish : Electro Galvanized



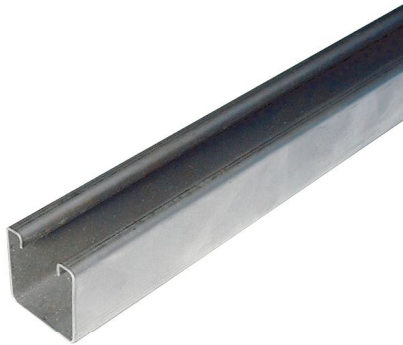
Cat.,No.		SIZE	Dimension (mm.)		Thickness (mm.)	Weight (g.)	
E.M.T.	I.M.C.		A	B		E.M.T.	I.M.C.
BC11	BC21	1/2"	42	14	1.0	16	17
BC12	BC22	3/4"	50	15	1.0	20	21
BC13	BC23	1"	57	21.5	1.0	25	28
-	BC24	1-1/4"	73	21.5	1.4	-	49
-	BC25	1-1/2"	80	21.5	1.4	-	50
-	BC26	2"	95	21.5	1.4	-	62
-	BC27	2-1/2"	107	21.5	1.4	-	80
-	BC28	3"	123	21.5	1.4	-	90
-	BC30	4"	154	21.5	2.0	-	150



Specification

Conduit Fitting

STAINLESS C-CHANNEL



Application : To support conduit fitting on wall, ceiling, etc. Support various size conduit.

Features : Easy installations, strong.

Material : Stainless steel

Cat.,No.	Dimension (mm.)	Thickness (mm.)	Weight (g.)
TCC00	25 x 40 x 1200	1.4	1,500
TCC01	25 x 40 x 2400	1.4	3,000
TCC03	40 x 40 x 1200	1.4	1,800
TCC04	40 x 40 x 2400	1.4	3,700

Conduit Fitting

STAINLESS CONDUIT CLAMP



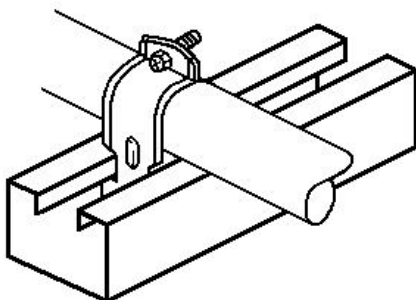
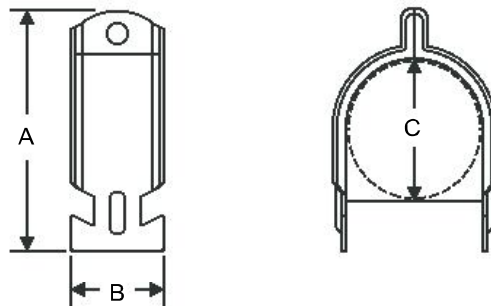
Application : Snap conduit that place on C-channel. Fasten by screw.

Features : Easy installations, Strong.

Material : Stainless steel

Thickness : 1.0 mm. (Size 1/2" ~ 1")
 1.5 mm. (Size 1 1/4" ~ 4")
 2.0 mm. (Size 5" ~ 6")

Standard Finish : Electro Galvanized



Cat.,No.	Size	Dimension (mm.)			Weight (g.)
		A	B	C	
TCC21	1/2"	47	31	23	32
TCC22	3/4"	54	31	28	35
TCC23	1"	61	31	35	39
TCC24	1-1/4"	73	31	45	68
TCC25	1-1/2"	79	31	51	75
TCC26	2"	90	31	63	89
TCC27	2-1/2"	107	31	77	101
TCC28	3"	126	31	92	115
TCC29	3-1/2"	141	31	105	132
TCC30	4"	152	31	118	143



Specification

Conduit Fitting

STAINLESS BEAM CLAMP



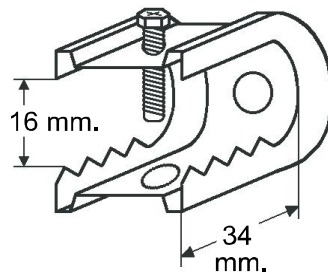
Application : Support conduit that need fit on metal building structure. Such as angle steel, U-channel, H-beam, I-beam.

Features : Easy installation, un need to drill, weld.

Material : Stainless steel 2 mm.

Weight : 70 g.

Cat.,No. : TBC01



Conduit Fitting

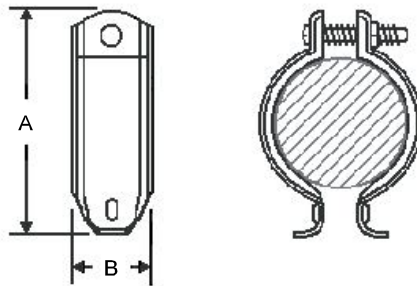
STAINLESS APPLICABLE HANGER



Application : Snap conduit fasten on beam clamp.

Features : Easy installations.

Material : Stainless steel



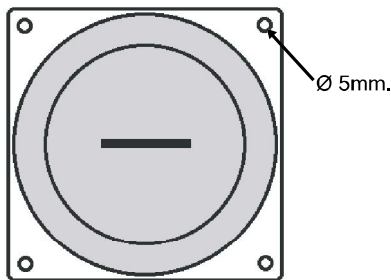
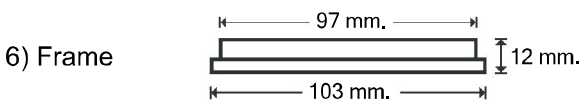
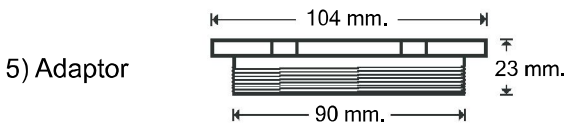
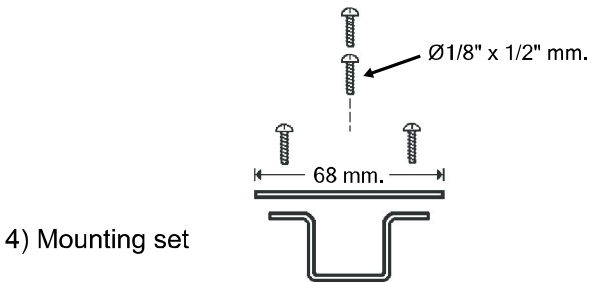
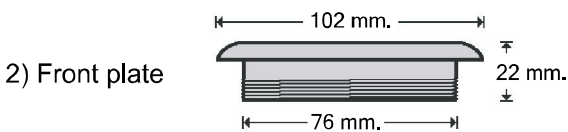
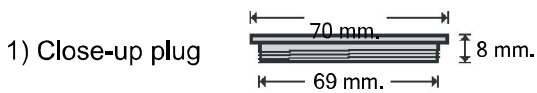
Cat.,No.	SIZE	Dimension (mm.)		Thickness (mm.)	Weight (g.)
		A	B		
TBC21	1/2"	42	14	1.0	18
TBC22	3/4"	50	15	1.0	20
TBC23	1"	57	21.5	1.0	30
TBC24	1-1/4"	73	21.5	1.4	46
TBC25	1-1/2"	80	21.5	1.4	50
TBC26	2"	95	21.5	1.4	65
TBC27	2-1/2"	107	21.5	1.4	82
TBC28	3"	123	21.5	1.4	92
TBC30	4"	154	21.5	2.0	155



Specification

Floor Outlet

FLOOR OUTLET SQUARE BOX 4" x 4"



Material 1) , 2) , 3) : Brass
 Material 4) : Steel sheet 1 mm.
 Material 5) , 6) : Aluminium Alloy

Application : Flush mounting on floor, support national various type receptacle, as shown on below.

Features : Appropriate office, store, warehouse, class room, exhibition hall, department store, etc.

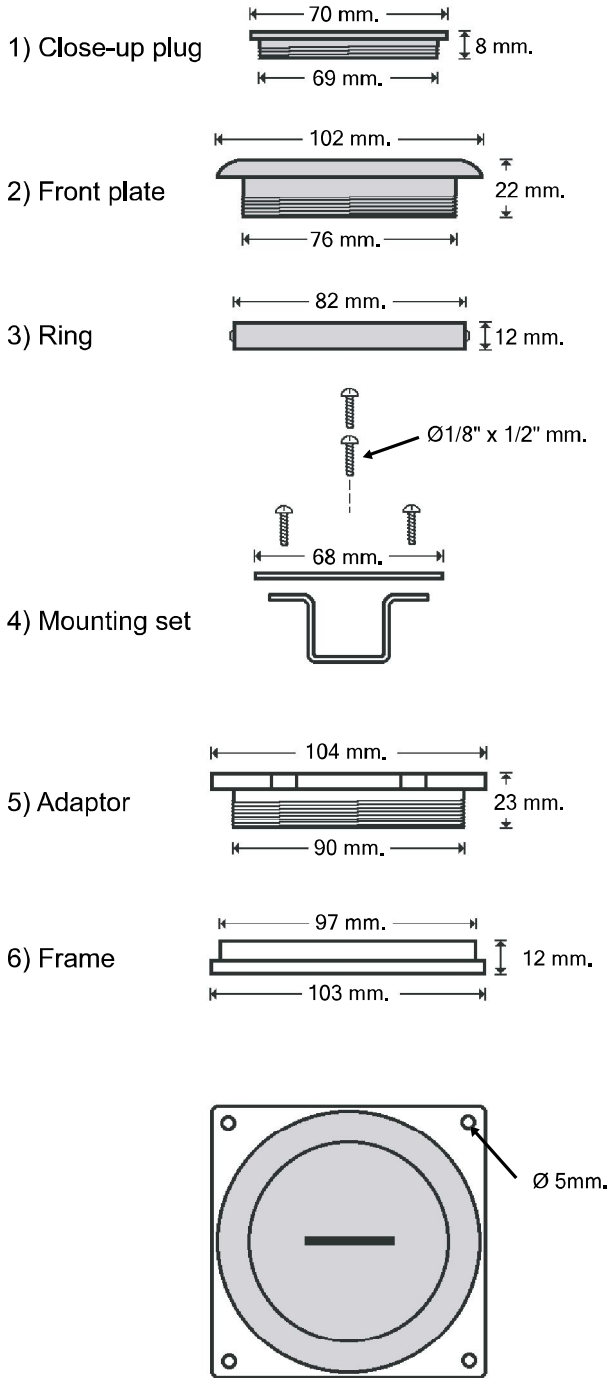
Material : Brass , Aluminium Alloy , Steel sheet 1 mm.

Support Device **National**

Cat.,No.	Support Device	Mounting Dimension (mm.)	Weight (g.)
FPN1	Single Full-Color WN1091-7 WN1101-7	 A=28 , B= 23	650
FPN2	Double Full-Color WN1091-7 WN1101-7	 A=28 , B= 46	650
FPNW1	Single WIDE-SERIES WEG10919 WEG2164 WEG2166 WEG1191K	 A=36 , B= 23	650
FPNW2	Double WIDE-SERIES WEG10919 WEG2164 WEG2166 WEG1191K	 A=36 , B= 46	650

Floor Outlet

FLOOR OUTLET SQUARE BOX 4" x 4"



Material 1) , 2) , 3) : Brass
 Material 4) : Steel sheet 1 mm.
 Material 5) , 6) : Aluminium Alloy

Application : Flush mounting on floor, support bticino various type receptacle, as shown on below.

Features : Appropriate office, store, warehouse, class room, exhibition hall, department store, etc.

Material : Brass , Aluminium Alloy , Steel sheet 1 mm.

Support Device **bticino**

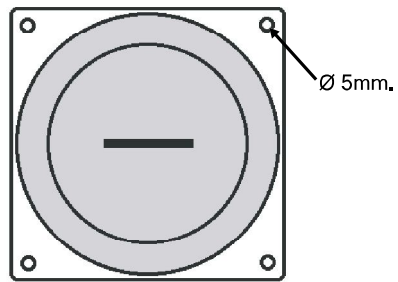
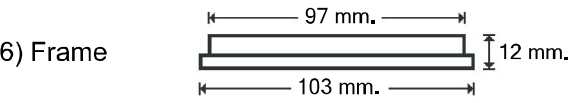
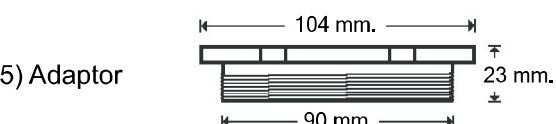
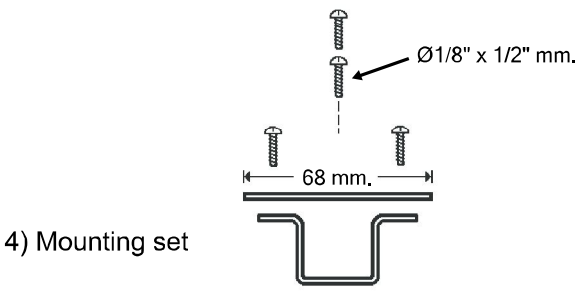
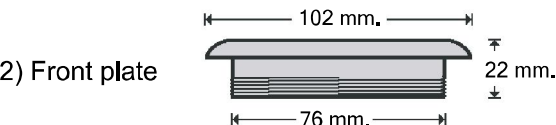
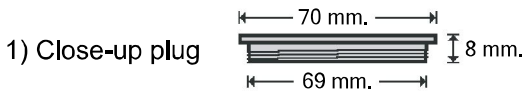
Cat.,No.	Support Device	Mounting Dimension (mm.)	Weight (g.)
FPT1	Single M9025,M9026 5021/4,M9201M/4 5021/6,M9021M/6	 A= 36 , B= 19	650
FPT2	Double M9025,M9026 5021/4,M9201M/4 5021/6,M9021M/6	 A= 36 , B= 43	650
FPTG1	Single 5023T	 A= 25 B= 33	650
FPTGM1	Single M9023T	 A=43 , B= 47	650



Specification

Floor Outlet

FLOOR OUTLET SQUARE BOX 4" x 4"



Application : Flush mounting on floor, support 8port UTP socket.

Features : Appropriate office, store, warehouse, class room, exhibition hall, department store, etc.

Material : Brass , Aluminium Alloy , Steel sheet 1 mm.

Cat.,No.	Support Device	Mounting Dimension (mm.)	Weight (g.)
FPU8	8p UTP Modular Jack T 568 B Stand & Jack	 A= 15 , B= 16	650

- Material 1) , 2) , 3) : Brass
- Material 4) : Steel sheet 1 mm.
- Material 5) , 6) : Aluminium Alloy



Specification

Floor Outlet

FLOOR OUTLET CUP INCLUDE RECEPTACLE



Application : Flush mounting on floor, support Eagle #817 receptacle.

Features : Appropriate office, store warehouse, classroom, exhibition hall, department store, super market, etc.

Material :

Front plate : Brass

Cup : Aluminium Alloy

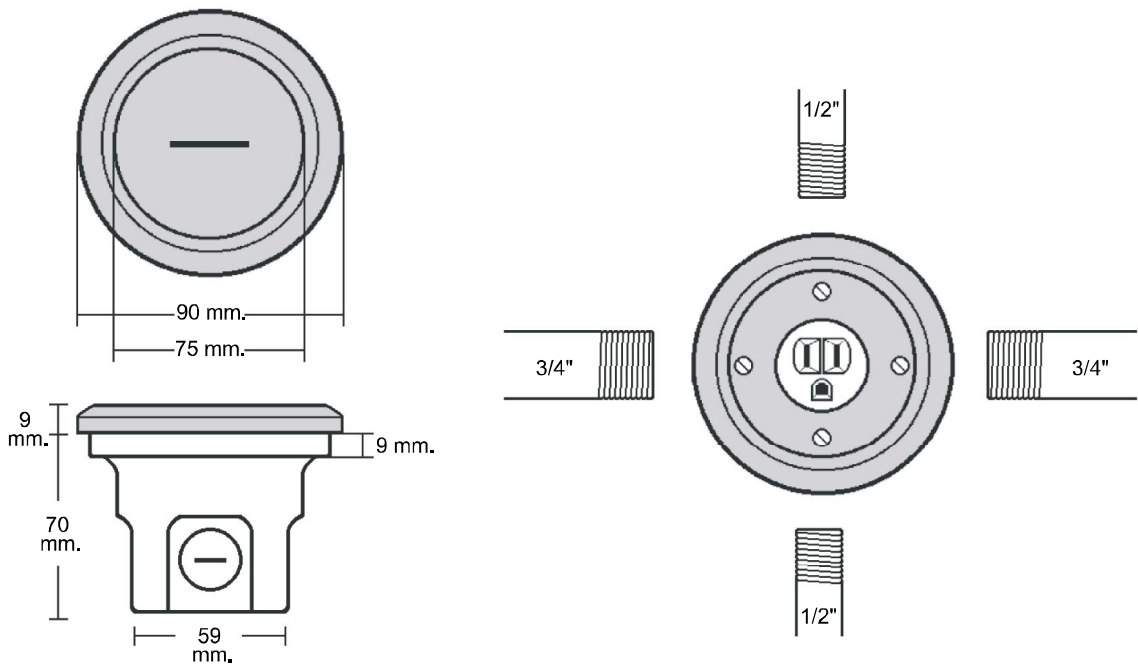
Close-up plug : PVC

Screw : Stainless screw

Weight : 800 g.

Cat.,No. : FP817B

Receptacle include **EAGLE 817**

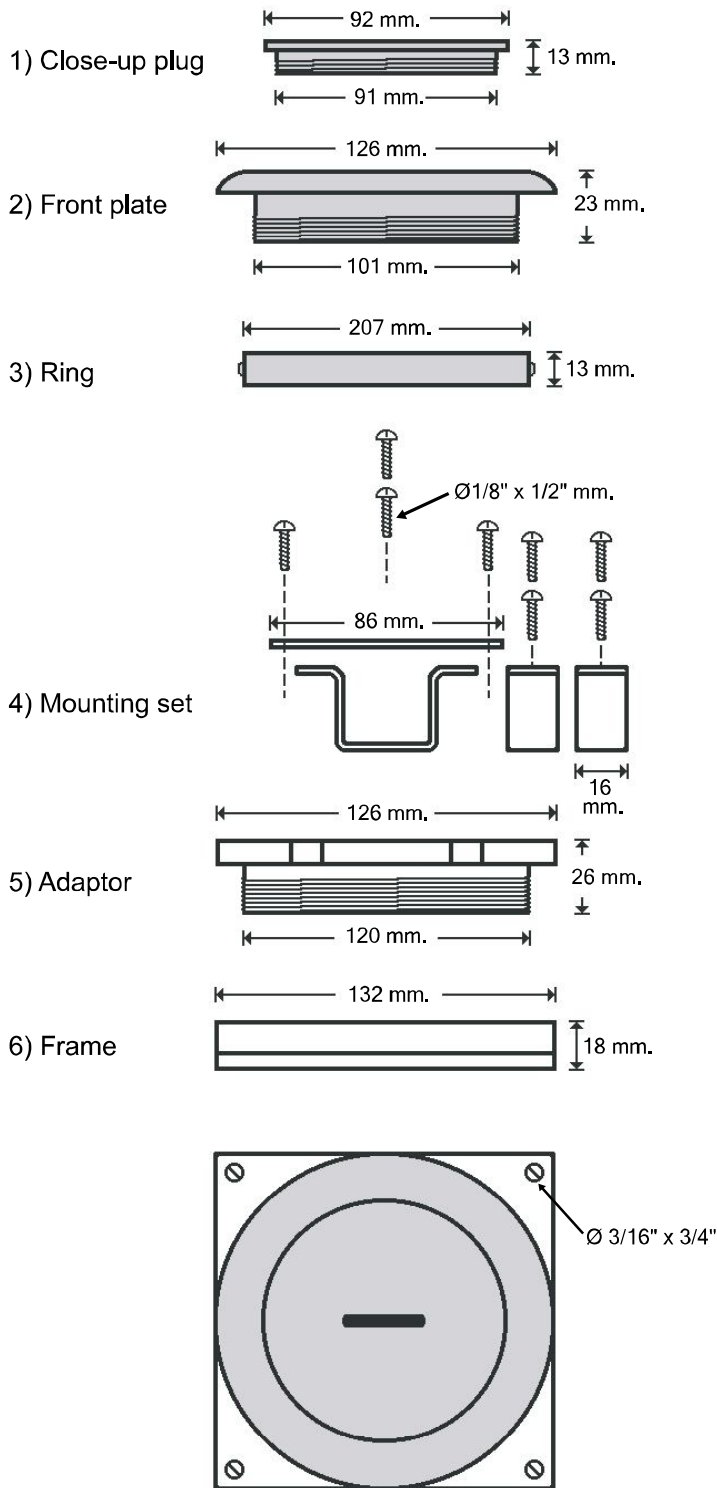




Specification

Floor Outlet

FLOOR OUTLET SQUARE BOX 5" x 5"



Application : Flush mounting on floor.
Support "National" Wide series WEG 15xxx various type duplex receptacle.

Features : Appropriate office, store, warehouse, class room, exhibition hall, department store, etc.

Material : Brass
Aluminium Alloy
Steel sheet 1.2 mm.

Support Device **National**

Cat.,No.	Support Device	Weight (g.)
FP1592	Single	1,500
	WIDE-SERIES	
	WEG15829	
	WEG15829H	
	WEG15929	
	WEG15929H	
	WEG15929R	

Support Device **bticino**

Cat.,No.	Support Device	Weight (g.)
FPTM9025	Single	1,500
	advance	
	M9025G	

Material 1) , 2) , 3) : Brass
Material 4) : Steel sheet 1.2 mm.
Material 5) , 6) : Aluminium Alloy

* RECEPTACLE NOT INCLUDE *



Floor Outlet

JUMBO SQUARE BOX FOR FLOOR OUTLET SQUARE BOX 5" x 5"



Application : Support floor outlet 5"x5"
support 3/4"x1" conduit.

Features : Easy installation, strong,
spec safe.

Dimension :

Size : 5" x 5" x2"

Knockout : 3/4" , 1" , 3/4"

Material : Mild steel 1.2 mm.

Standard Finish : Electro Galvanized

Weight : 300 g.

Cat.,No. : FPBXJ

