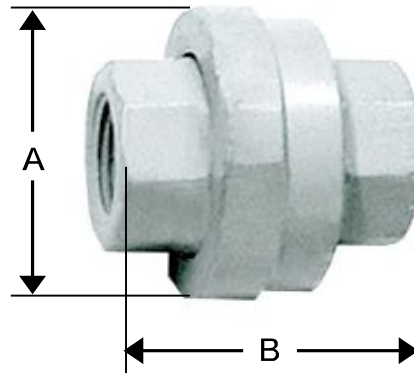




Specification

EXP. Conduit Fitting

UNION



Application : Adapt or join NPT male thread to a female thread.

Thread : NPT Female

Material : Cast Aluminium

Finish : Painted

Cat.,No.	SIZE	Dimension (mm.)		Weight (g.)
		A	B	
XUN21	1/2"	50	52	140
XUN22	3/4"	55	55	180
XUN23	1"	66	60	260
XUN24	1-1/4"	74	60	320
XUN25	1-1/2"	84	65	500
XUN26	2"	95	67	600
XUN27	2-1/2"	105	80	610

CABLE GLAND

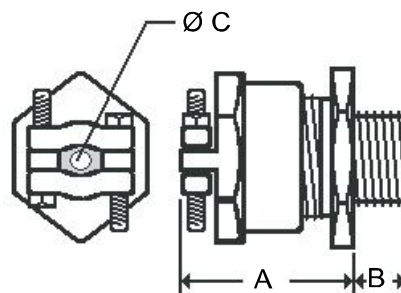


Application : Snap & hold cable that take out of
junction box.

Thread : NPT male

Material : Bronze

Finish : Nickel plated.



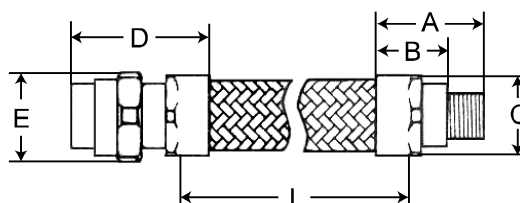
Cat.,No.	SIZE	Dimension (mm.)			Weight (g.)
		A	B	C	
XCG21	1/2"	44	12	10	200
XCG22	3/4"	45	12	15	240
XCG23	1"	50	12	21	400
XCG24	1-1/4"	59	12	24	540
XCG25	1-1/2"	60	12	30	700
XCG26	2"	65	12	40	860
XCG27	2-1/2"	70	25	42	1,400
XCG28	3"	75	25	57	1,900



Specification

EXP. Flexible Conduit

FLEXIBLE CONDUIT



Application : Explosion proof flexible stainless conduit. Use for connection race-way reduce cause vibration result to be damaged.

Features : For use dam, hazardous area, etc.

Material :

Conduit : Stainless

Connection : Brass

Union : Cast Aluminium

Cat.,No.	SIZE		Dimension (mm.)					Weight (g.)
	ø	Long	A	B	C	D	E	
XFD1030	1/2"	30 cm.	40	24	40	77	50	640
XFD1050	1/2"	50 cm.	40	24	40	77	50	700
XFD1060	1/2"	60 cm.	40	24	40	77	50	750
XFD1080	1/2"	80 cm.	40	24	40	77	50	850
XFD1100	1/2"	100 cm.	40	24	40	77	50	1,000
XFD2030	3/4"	30 cm.	40	24	40	80	55	700
XFD2050	3/4"	50 cm.	40	24	40	80	55	780
XFD2060	3/4"	60 cm.	40	24	40	80	55	820
XFD2080	3/4"	80 cm.	40	24	40	80	55	900
XFD2100	3/4"	100 cm.	40	24	40	80	55	1,000
XFD3030	1"	30 cm.	47	27	51	90	66	1,100
XFD3050	1"	50 cm.	47	27	51	90	66	1,250
XFD3060	1"	60 cm.	47	27	51	90	66	1,330
XFD3080	1"	80 cm.	47	27	51	90	66	1,400
XFD3100	1"	100 cm.	47	27	51	90	66	1,600
XFD4030	1-1/4"	30 cm.	50	28	56	90	74	2,000
XFD4050	1-1/4"	50 cm.	50	28	56	90	74	2,120
XFD4060	1-1/4"	60 cm.	50	28	56	90	74	2,200
XFD4080	1-1/4"	80 cm.	50	28	56	90	74	2,320
XFD4100	1-1/4"	100 cm.	50	28	56	90	74	2,450
XFD5030	1-1/2"	30 cm.	50	28	68	92	84	2,500
XFD5050	1-1/2"	50 cm.	50	28	68	92	84	2,660
XFD5060	1-1/2"	60 cm.	50	28	68	92	84	2,730
XFD5080	1-1/2"	80 cm.	50	28	68	92	84	2,870
XFD5100	1-1/2"	100 cm.	50	28	68	92	84	3,000
XFD6030	2"	30 cm.	70	36	77	110	94	3,650
XFD6050	2"	50 cm.	70	36	77	110	94	3,850
XFD6060	2"	60 cm.	70	36	77	110	94	3,940
XFD6080	2"	80 cm.	70	36	77	110	94	4,140
XFD6100	2"	100 cm.	70	36	77	100	94	4,340

EXP. Conduit Outlet Box

L.B.



Application :

- Act as pull outlets for conductors being installed.
- Change direction of conduit.
- Installed in conduit systems within hazardous areas.

Features :

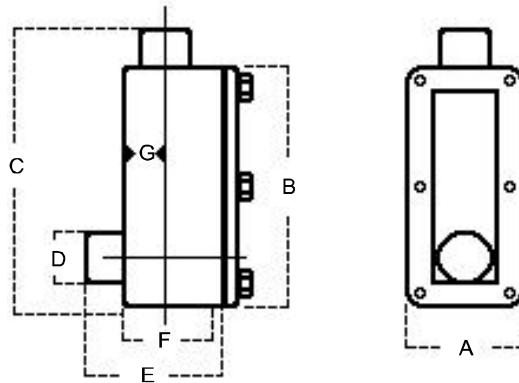
- Smooth intergral hub bushings to protect conductor insulation when pulling.
- Most compact design of all hazardous area outlet bodies.

Material : Cast Aluminium

Finish : Painted

Screw : Stainless

Spring Washer : Stainless



Cast Aluminium

Cat.,No.	SIZE	Dimension (mm.)							Screw	
		A	B	C	D	E	F	G	Size	Qty.
XOB21	1/2"	45	100	116	30	55	40	20	M5x20	4
XOB22	3/4"	45	100	116	34	55	40	20	M5x20	4
XOB23	1"	60	120	146	42	80	53	25	M5x20	6
XOB24	1-1/4"	60	120	146	50	87	62	31	M6x20	6
XOB25	1-1/2"	70	160	185	60	95	70	35	M6x20	6
XOB26	2"	72	166	191	72	102	78	39	M6x20	6
XOB27	2-1/2"	120	288	330	90	155	110	55	M6x20	6
XOB28	3"	125	288	335	110	170	120	55	M6x20	6



Specification

EXP. Conduit Outlet Box

L.L.



Application :

- Act as pull outlets for conductors being installed.
- Change direction of conduit.
- Installed in conduit systems within hazardous areas.

Features :

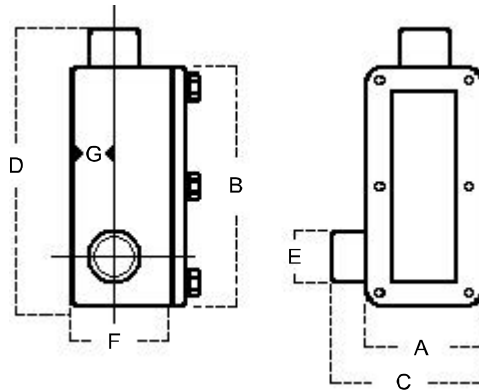
- Smooth intergral hub bushings to protect conductor insulation when pulling.
- Most compact design of all hazardous area outlet bodies.

Material : Cast Aluminium

Finish : Painted

Screw : Stainless

Spring Washer : Stainless



Cast Aluminium

Cat.,No.	SIZE	Dimension (mm.)							Screw	
		A	B	C	D	E	F	G	Size	Qty.
XOL21	1/2"	58	100	80	118	36	45	20	M5x20	4
XOL22	3/4"	60	120	82	145	40	52	23	M5x20	4
XOL23	1"	60	120	87	145	50	61	31	M5x20	6
XOL24	1-1/4"	70	160	95	185	60	70	35	M6x20	6
XOL25	1-1/2"	75	165	100	190	73	76	40	M6x20	6
XOL26	2"	127	290	165	330	90	112	56	M6x20	6

EXP. Conduit Outlet Box

L.R.



Application :

- Act as pull outlets for conductors being installed.
- Change direction of conduit.
- Installed in conduit systems within hazardous areas.

Features :

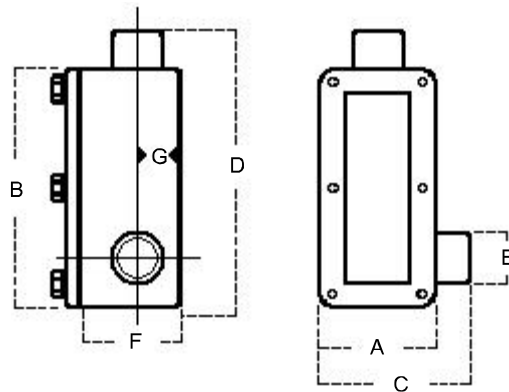
- Smooth intergral hub bushings to protect conductor insulation when pulling.
- Most compact design of all hazardous area outlet bodies.

Material : Cast Aluminium

Finish : Painted

Screw : Stainless

Spring Washer : Stainless



Cast Aluminium

Cat.,No.	SIZE	Dimension (mm.)							Screw	
		A	B	C	D	E	F	G	Size	Qty.
XOR21	1/2"	58	100	80	118	36	45	20	M5x20	4
XOR22	3/4"	60	120	82	145	40	52	23	M5x20	4
XOR23	1"	60	120	87	145	50	61	31	M5x20	6
XOR24	1-1/4"	70	160	95	185	60	70	35	M6x20	6
XOR25	1-1/2"	75	165	100	190	73	76	40	M6x20	6
XOR26	2"	127	290	165	330	90	112	56	M6x20	6



Specification

EXP. Conduit Outlet Box

O.T.



Application :

- Act as pull outlets for conductors being installed.
- Change direction of conduit.
- Installed in conduit systems within hazardous areas.

Features :

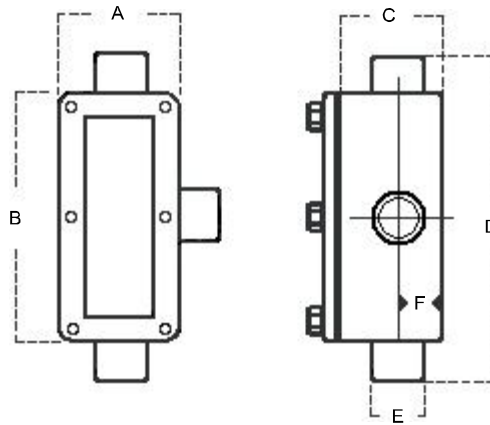
- Smooth intergral hub bushings to protect conductor insulation when pulling.
- Most compact design of all hazardous area outlet bodies.

Material : Cast Aluminium

Finish : Painted

Screw : Stainless

Spring Washer : Stainless



Cast Aluminium

Cat.,No.	SIZE	Dimension (mm.)						Screw	
		A	B	C	D	E	F	Size	Qty.
XOT21	1/2"	44	100	40	132	35	18	M5x20	4
XOT22	3/4"	44	100	40	132	35	18	M5x20	4
XOT23	1"	45	110	47	150	42	24	M5x20	6
XOT24	1-1/4"	60	120	63	172	50	30	M6x20	6
XOT25	1-1/2"	60	120	65	172	62	31	M6x20	6
XOT26	2"	75	165	76	215	74	39	M6x20	6
XOT27	2-1/2"	128	290	110	380	92	60	M6x20	6
XOT28	3"	128	380	120	385	110	62	M6x20	6

EXP. Junction Box

JUNCTION BOX



2 Hub
Straight



2 Hub
Angle



3 Hub



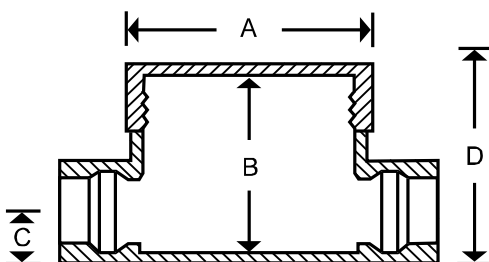
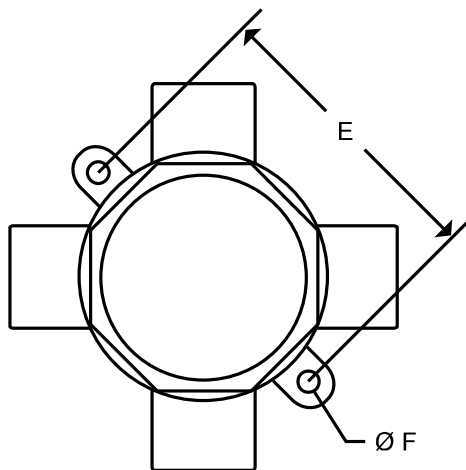
4 Hub

Application : Explosion proof junction raceway.

Features : Finished with cap cover IP65

Material : Cast Aluminium

Finish : Painted



SIZE	Dimension (mm.)			
	A	B	C	D
1/2"	96	58	17	77
3/4"	96	58	19	77
1"	96	58	22	77

SIZE	Cat.,No.			
	2 Hub		3 Hub	4 Hub
	Straight	Angle		
1/2"	XOJ21	XOJ71	XOJ31	XOJ41
3/4"	XOJ22	XOJ72	XOJ32	XOJ42
1"	XOJ23	XOJ73	XOJ33	XOJ43

SIZE	Weight (g.)			
	2 Hub		3 Hub	4 Hub
	Straight	Angle		
1/2"	500	500	510	520
3/4"	500	500	510	520
1"	550	550	570	590



Specification

EXP. Conduit Fitting

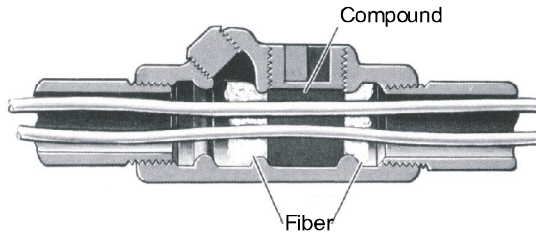
E.Y.K.



Female



Male & Female



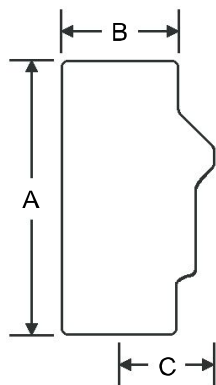
Application : Sealing fittings prevent passage of gases,vapor or flames from one portion of a conduit system to another. Seal must be placed in each conduit within 18" of device that may product arcs, sparks , or high temperatures. Zrevent passage of gases of combustion and flames from one portion of the electrical installation to another through the conduit. Limit any explosion to the sealed off enclosure.

Features : Can be used for sealing vertical or horizontal conduit runs. Have minimum turning radius, are most compact.

Material : Cast Iron

Standard Finish : Hot-Dip galvanized

Note : Sealing fittings are approved for hazardous location only if fiber and sealing compound are used to make the seal.



Cat.,No.		SIZE	Dimension (mm.)			Weight (g.)	
Female	Male & Female		A	B	C	Female	Male & Female
XEYK21	XEYKM21	1/2"	93	31	29	400	426
XEYK22	XEYKM22	3/4"	93	38	31	530	576
XEYK23	XEYKM23	1"	109	44	35	860	938
XEYK24	XEYKM24	1-1/4"	128	55	47	1,100	1,217
XEYK25	XEYKM25	1-1/2"	139	61	52	1,350	1,492
XEYK26	XEYKM26	2"	158	76	59	2,000	2,200
XEYK27	XEYKM27	2-1/2"	190	88	68	3,200	3,590
XEYK28	XEYKM28	3"	216	108	84	3,800	4,340
XEYK29	XEYKM29	3-1/2"	234	120	87	5,100	5,950
XEYK30	XEYKM30	4"	248	133	93	7,200	8,150



Specification

EXP. Conduit Fitting

E.Y.S.



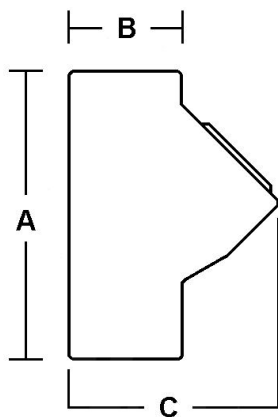
Application : Sealing fittings prevent passage of gases,vapor or flames From one portion of a conduit system to another.

Features : Can be used for sealing vertical or Horizontal conduit runs.

Material : Cast Aluminium Alloy

Standard Finish : Painted

Note : Sealing fittings are approved for hazardous location only if fiber and sealing compound are used to make the seal.



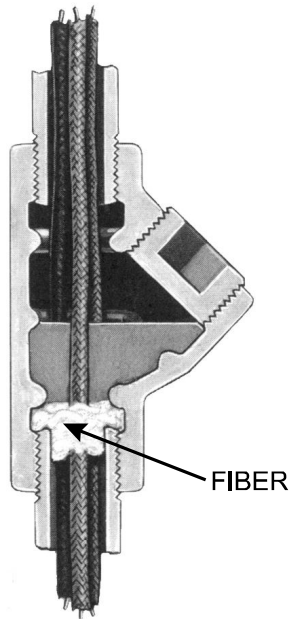
Cat.,No.	SIZE	Dimension (mm.)			Weight (g.)
		A	B	C	
XEYS21	1/2"	74	28	47	116
XEYS22	3/4"	81	34	54	189
XEYS23	1"	90	40	61	228
XEYS24	1-1/4"	120	50	82	430
XEYS25	1-1/2"	126	60	83	545
XEYS26	2"	148	70	105	810
XEYS27	2-1/2"	163	85	118	1,480
XEYS28	3"	210	100	140	2,280
XEYS29	3-1/2"	245	120	180	4,690
XEYS30	4"	245	125	180	4,490



Specification

Explosion Accessarie

FIBER



Application : Ceramic fiber used to make a dam in the space between the integral bushing of the seal fitting hub and the conduit end and around the electrical conductors prior to pouring compound.

Weight : 20 g.

Cat.,No. : FIBER

EXP. Aluminium Box

EXPLOSION PROOF ALUMINIUM BOX



Index Protection 55

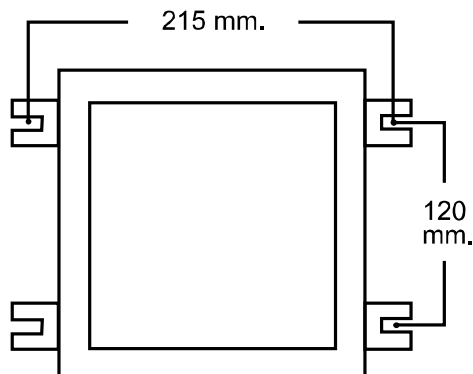
Standard Material : Cast Aluminium

Screw : Stainless screw

Seal : Sponge synthetic rubber

Mounting plated : Steel sheet 2 mm.

Cat.,No.	Dimension (mm.)						Screw		Wall Thickness (mm.)	Weight (Kg.)
	Inside			Outside			Size	Qty.		
	Wide	Length	High	Wide	Length	High				
XPB080804	175	175	88	210	210	110	M6x20	8	7	3.4





Specification

EXP. Aluminium Box

EXPLOSION PROOF ALUMINIUM BOX



Index Protection 55

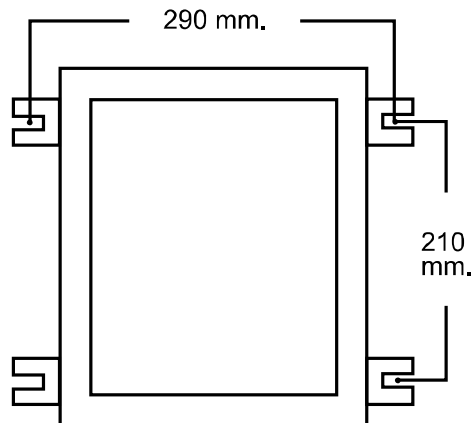
Standard Material : Cast Aluminium

Screw : Stainless screw

Seal : Sponge synthetic rubber

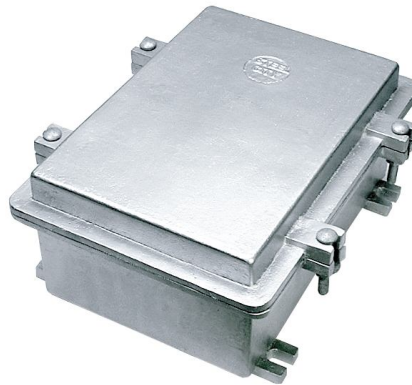
Mounting plated : Steel sheet 2 mm.

Cat.,No.	Dimension (mm.)						Screw		Wall Thickness (mm.)	Weight (Kg.)
	Inside			Outside			Size	Qty.		
	Wide	Length	High	Wide	Length	High				
XPB101206	250	300	150	310	360	190	M8x30	10	10.0	



EXP. Aluminium Box

EXPLOSION PROOF ALUMINIUM BOX TYPE PBR



Index Protection 55

Material : Cast Aluminium

Screw : Sraainless screw

Seal : Sponge synthetie rubber

Mounting plated : Steel sheet 2 mm.

Cat.,No.	Inside Dimension (mm.)			Screw		Wall Thickness (mm.)	Weight (Kg.)
	Wide	Length	High	Size	Qty.		
XPB-R101405	250	370	130	M12	4	10	13

